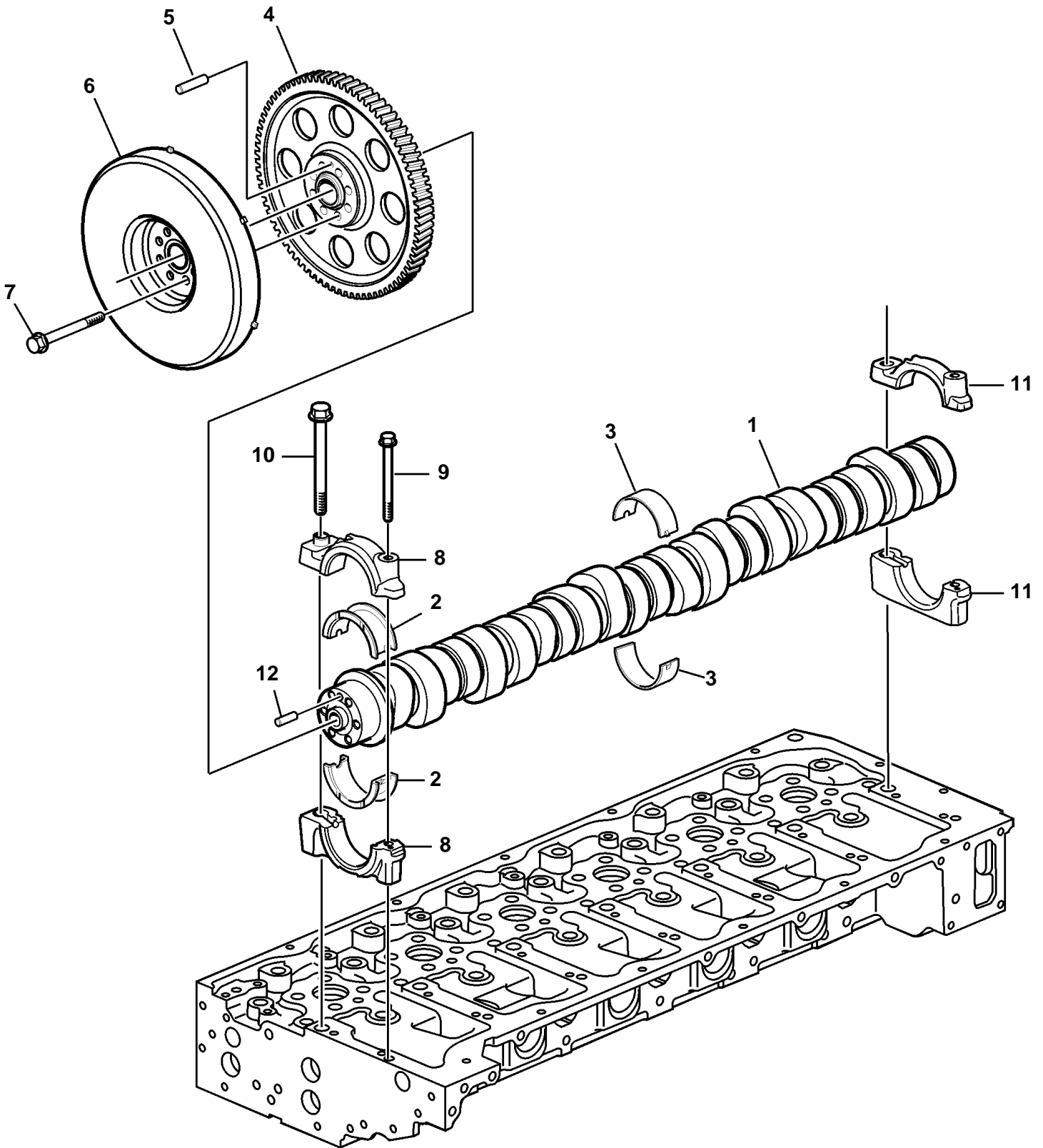


D9A2A D9-425, D9A2A D9-500 (R4), D9A2A D9-575, D9A2B 425, D9A2B D9-500 (R5), D9A2B D9-575



20633

D9A2A D9-425, D9A2A D9-500 (R4), D9A2A D9-575, D9A2B 425, D9A2B D9-500 (R5), D9A2B D9-575

REF	PART NO.	QTY	DESCRIPTION	NOTES
1	20451814	1	Camshaft	
2	8148037	2	Bearing shell	
3	8148038	12	Bearing shell	
4	8131386	1	Gear	
5	950551	1	· Pin	L=35mm
6	20450049	1	Vibration damper	
7	8131597	6	Flange screw	
8	3161079	6	Bearing housing	
9	20412482	7	Flange screw	
10	975105	7	Flange screw	
11	3161082	1	Bearing housing	
12	950588	1	Pin	L=25mm