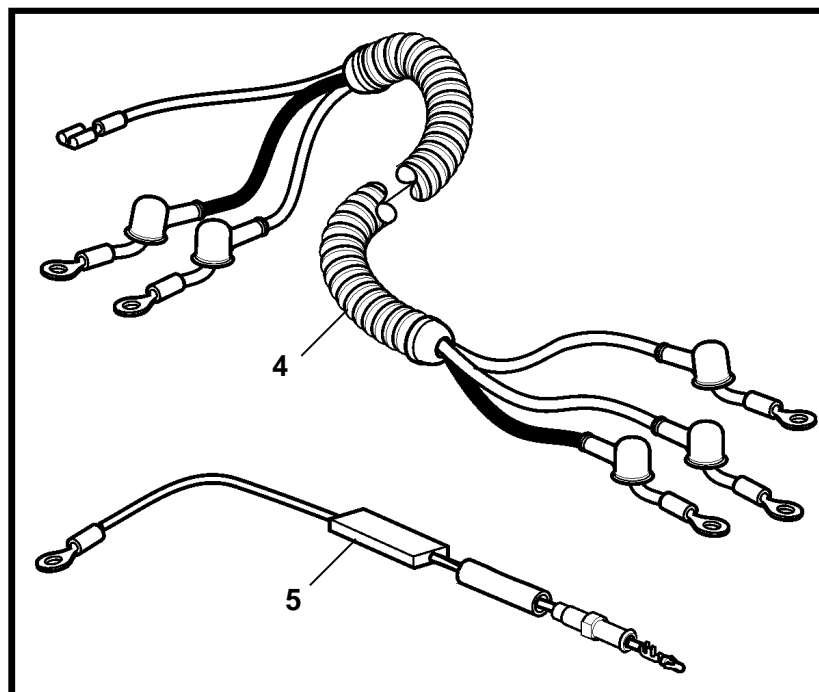
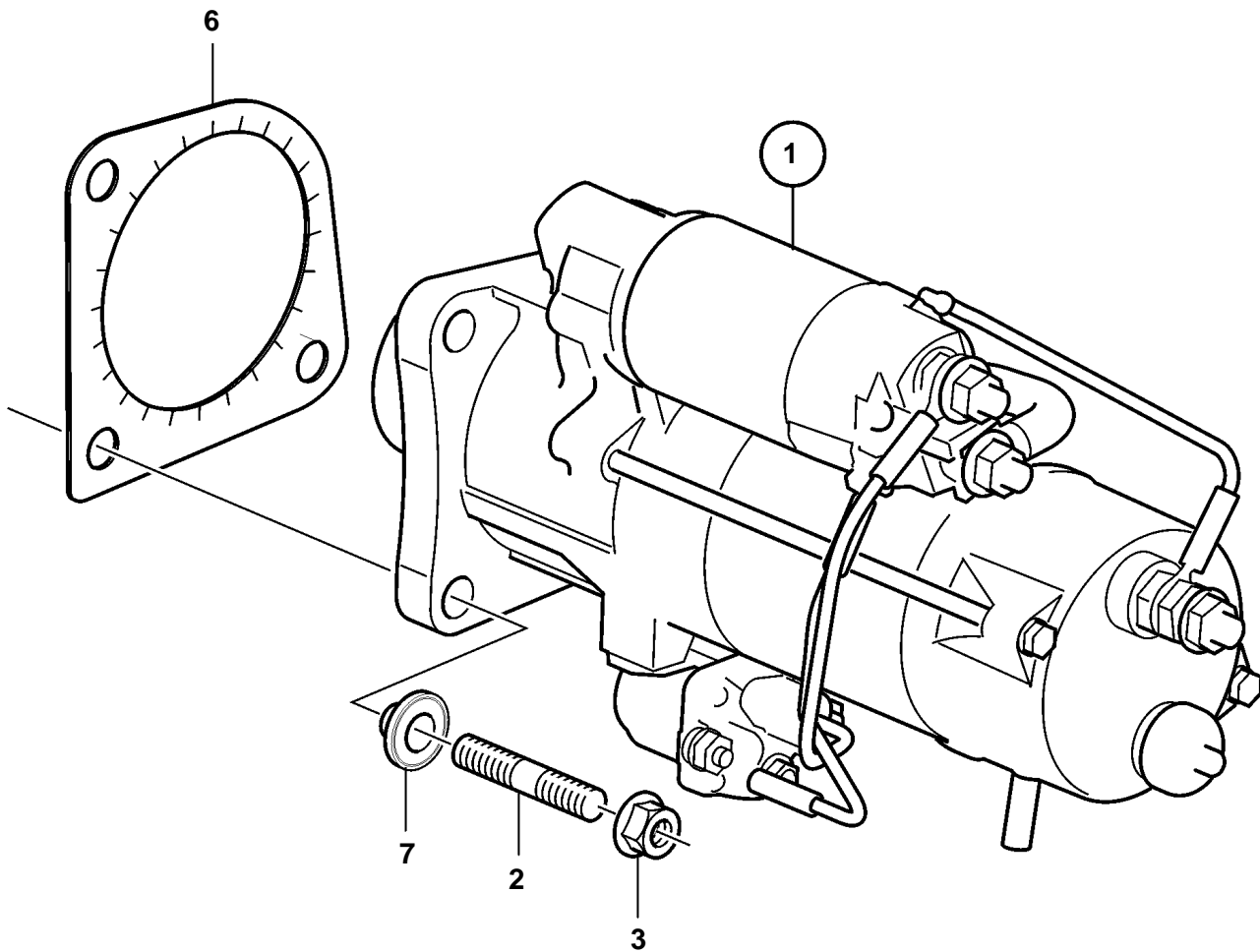


D9A2A D9-425, D9A2A D9-500 (R4), D9A2A D9-575, D9A2B 425, D9A2B D9-500 (R5), D9A2B D9-575, D9A2A D9A-MH, D9A2B MH



D9A2A D9-425, D9A2A D9-500 (R4), D9A2A D9-575, D9A2B 425, D9A2B D9-500 (R5), D9A2B D9-575, D9A2A D9A-MH, D9A2B MH

REF	PART NO.	QTY	DESCRIPTION	SEE SEC.	NOTES
1	3801287	1	Starter motor, exch		24V
				8485	
	3801284	1	Starter motor, exch · Parts not sold separately		12V
2	953071	3	Stud		
3	471622	3	Flange lock nut		
4	3817049	1	Wiring harness		Replaced by 3889280 and 3889282 24V or 3847940 12V
	3889280	1	Wiring harness		For alternator
5	3889282	1	Resistor		For alternator 24V
	3847940	1	Resistor		For alternator 12V
6	21341943	1	Gasket		
7	21308514	3	Insulating bushing		