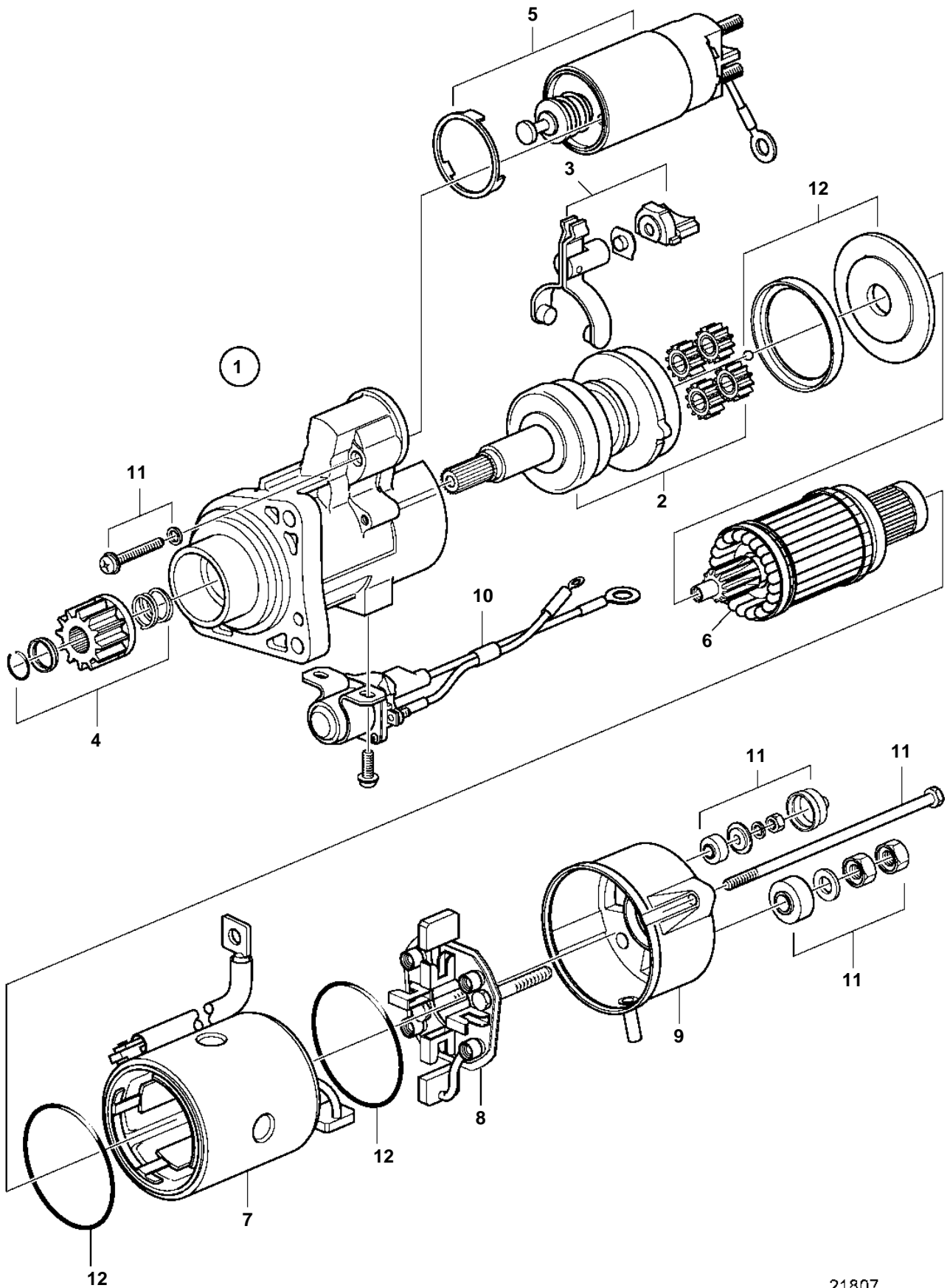


D9A2A D9-425, D9A2A D9-500 (R4), D9A2A D9-575, D9A2B 425, D9A2B D9-500 (R5), D9A2B D9-575, D9A2A D9A-MH, D9A2B MH



D9A2A D9-425, D9A2A D9-500 (R4), D9A2A D9-575, D9A2B 425, D9A2B D9-500 (R5), D9A2B D9-575, D9A2A D9A-MH, D9A2B MH

REF	PART NO.	QTY	DESCRIPTION	NOTES
1	3803847	1	Starter motor, exch	Replaced by 3801287
	3801287	1	Starter motor, exch	
2		1	· Shaft	
3		1	· Lever	
4	20491053	1	· Pinion	
5	3818887	1	· Starter solenoid	
6		1	· Rotor	
7		1	· Stator	
8	3818891	1	· Carbon brush retaine	
9		1	· Bearing shield	
10	3818901	1	· Starter relay	
11	3818906	1	· Screw kit	
12	3818908	1	· Gasket kit	