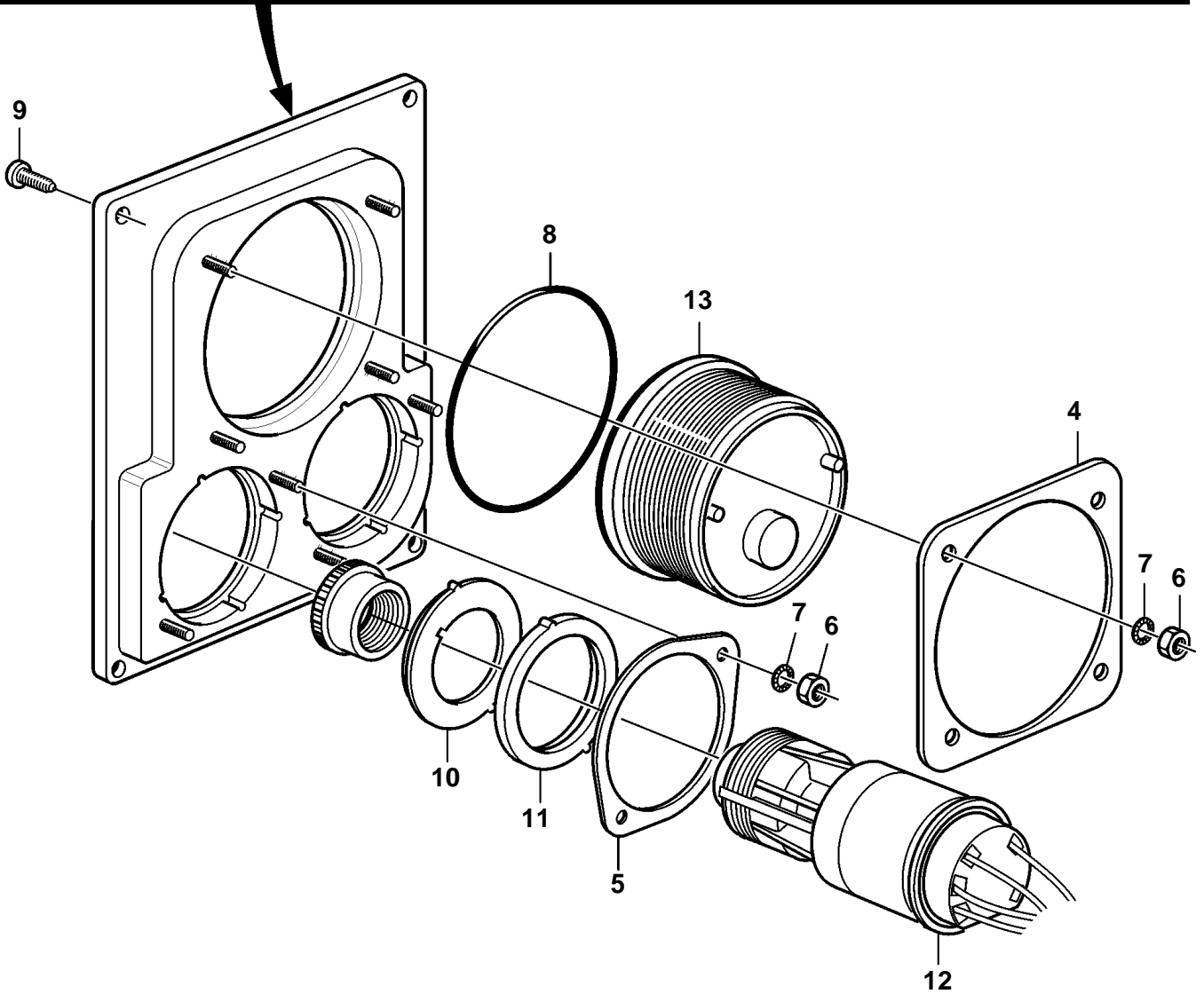
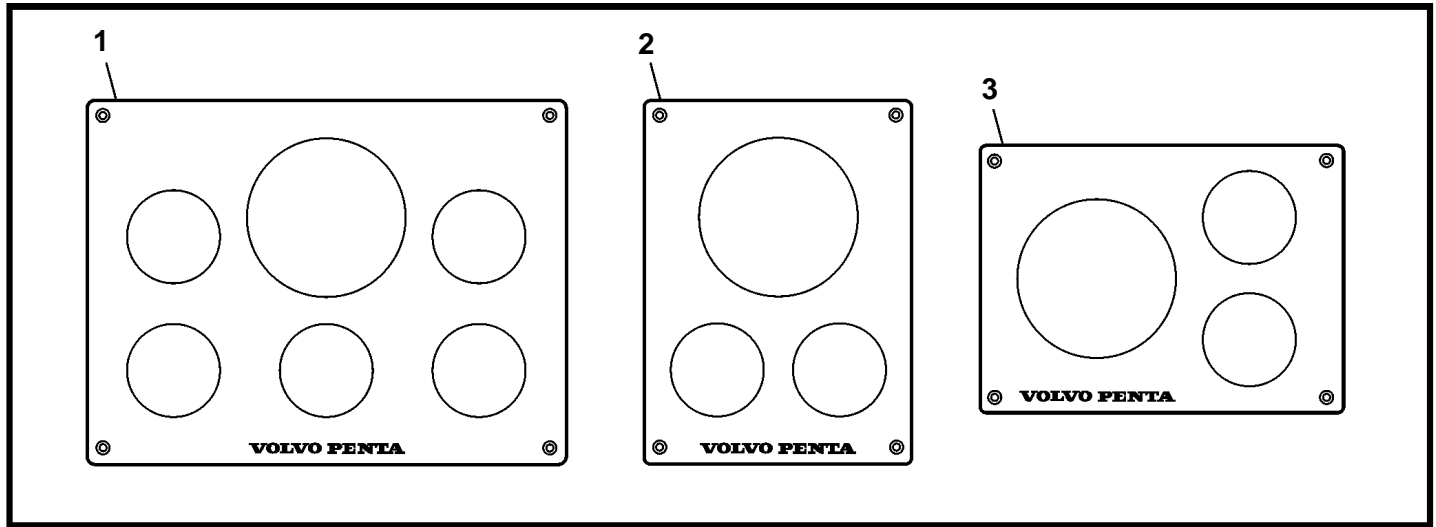


D9A2A D9-425, D9A2A D9-500 (R4), D9A2A D9-575, D9A2B 425, D9A2B D9-500 (R5), D9A2B D9-575, D9A2A D9A-MH, D9A2B MH



22938

D9A2A D9-425, D9A2A D9-500 (R4), D9A2A D9-575, D9A2B 425, D9A2B D9-500 (R5), D9A2B D9-575, D9A2A D9A-MH, D9A2B MH

REF	PART NO.	QTY	DESCRIPTION	NOTES
1	3589928	1	Instrument panel pla	
2	3589929	1	Instrument panel	
3	3808659	1	Instrument panel	
4	3808692	1	Lock ring	
5	3808693	1	Lock ring	
6	984990	8	Hexagon nut	
7	984991	8	Toothed washer	
8	874843	2	X-ring	D=52mm
	874844	1	X-ring	D=85mm
9	828647	4	Screw	
10	3589932	1	Adapter sleeve	
11	3809239	1	Adapter sleeve	
12		X	Lock, ignition	
13		X	Instrument	