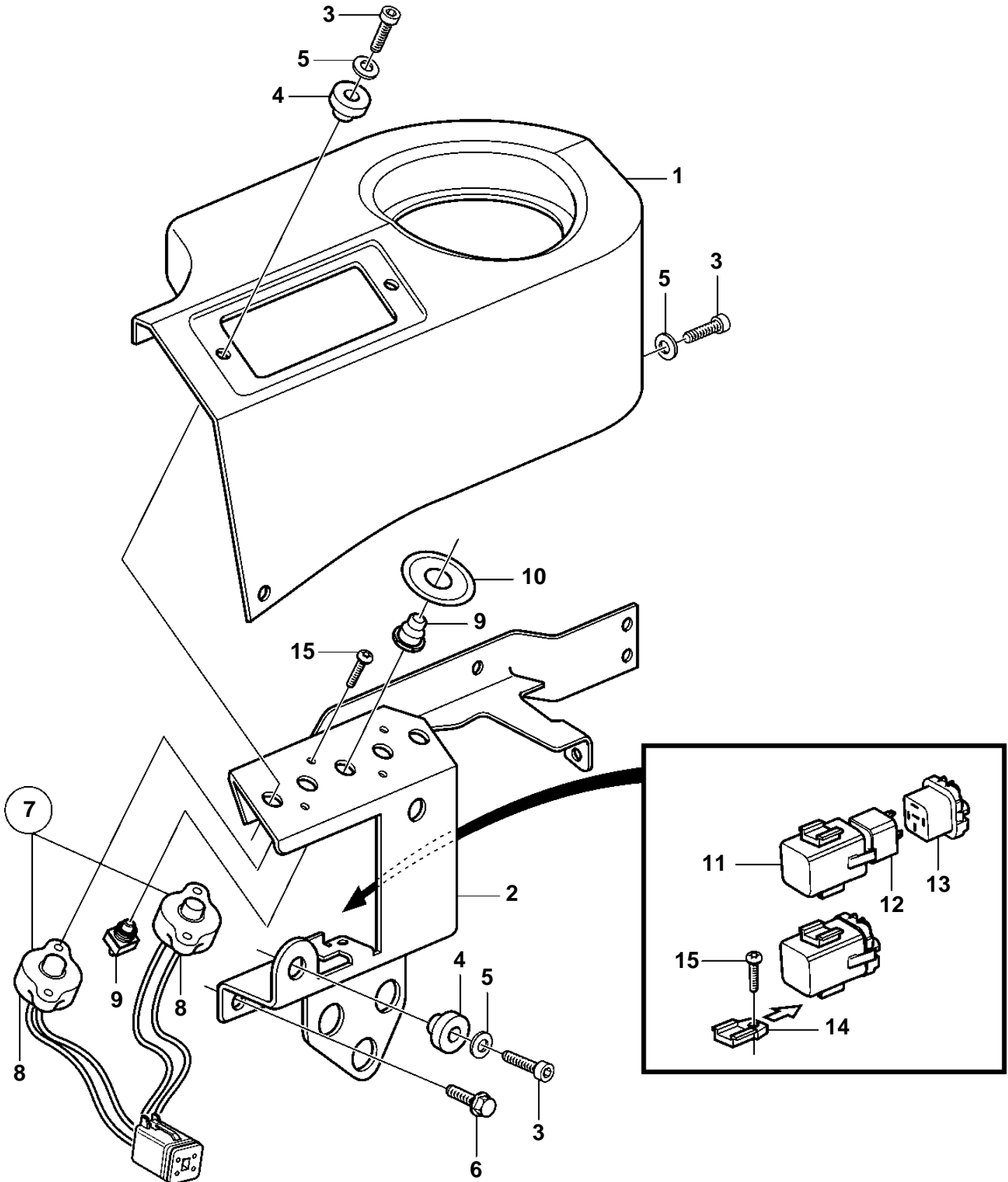


D9A2A D9A-MH



D9A2A D9A-MH

REF	PART NO.	QTY	DESCRIPTION	NOTES
1	3838951	1	Cardboard tube	
2	3836293	1	Bracket	
3	969423	4	6 point socket screw	
4	930760	4	Expanding nut	
5	976943	4	Washer	
6	948336	2	Flange screw	
7	3587368	1	Wiring harness	
8	873952	2	· Automatic fuse	
9	873959	1	Breaker	
10	3809463	1	Decal	
11	3587173	2	Relay box	
12	873765	1	Relay	12V
	20374662	1	Relay	24V
13	3587172	2	Relay socket	
14	3587174	2	Relay retainer	
15	969408	5	6 point socket screw	