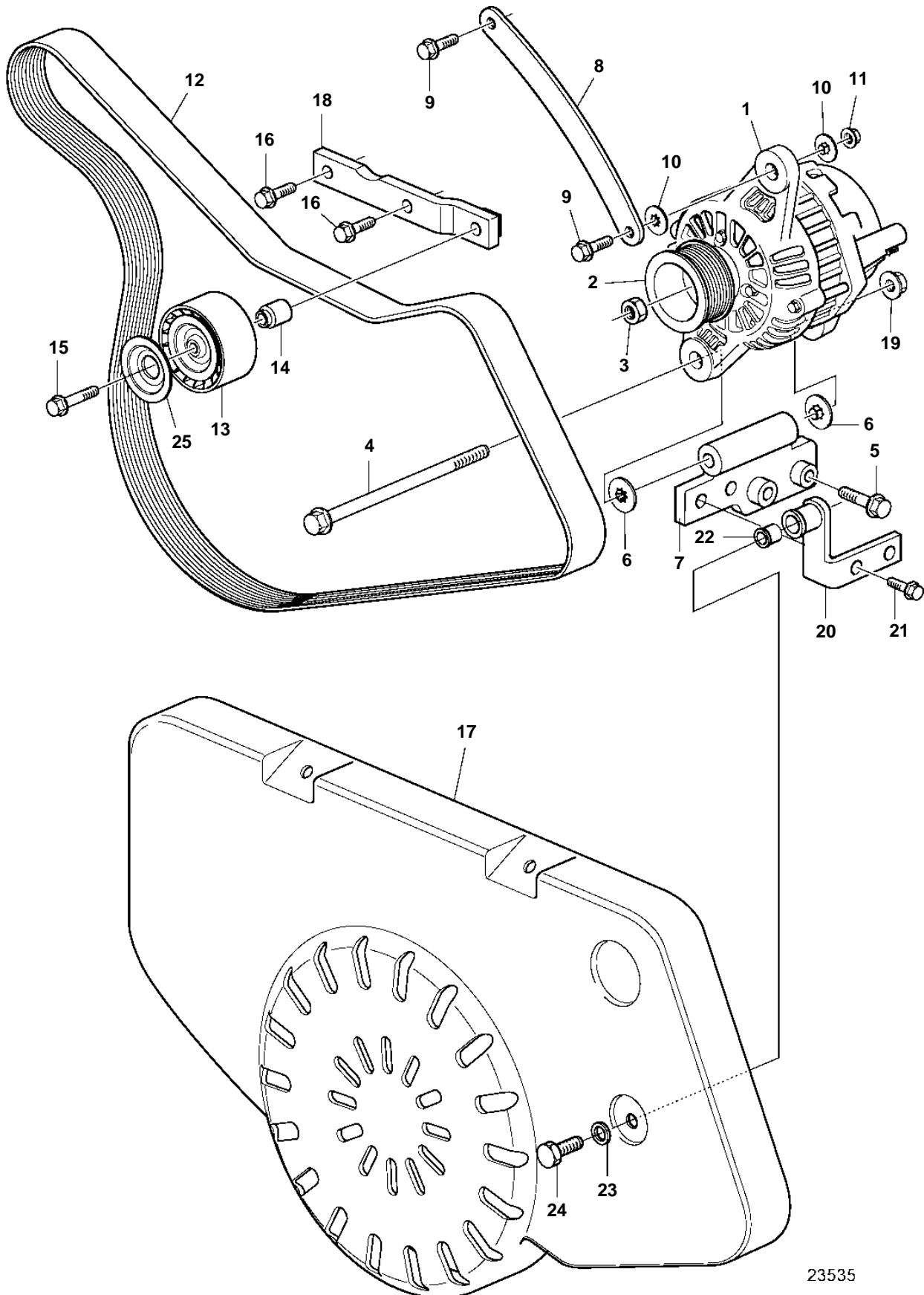


D9A2A D9-425, D9A2A D9-500 (R4), D9A2A D9-575, D9A2B 425, D9A2B D9-500 (R5), D9A2B D9-575, D9A2A D9A-MH, D9A2B MH



23535

D9A2A D9-425, D9A2A D9-500 (R4), D9A2A D9-575, D9A2B 425, D9A2B D9-500 (R5), D9A2B D9-575, D9A2A D9A-MH, D9A2B MH

REF	PART NO.	QTY	DESCRIPTION	SEE SEC.	NOTES
1	3803846	1	Alternator, exch		14V 115A
	3803845	1	Alternator, exch		28V 80A
				8811	
2		1	· Pulley		
3		1	· Nut		
4	979935	1	Flange screw		
5	965185	2	Flange screw		
6	3589388	2	Insulating bushing		
7	3595216	1	Alternator anchorage		
8	3586753	1	Alternator bracket		
9	973924	2	Flange screw, belt tensioner	7495	
10	3589369	2	Insulating bushing		
11	930762	1	Expanding nut		
12	990422	1	V-ribbed belt		
13	3887305	1	Idler pulley		
14	3818176	1	Hub		
15	965195	1	Flange screw		
16	946329	2	Flange screw		
17	3818370	1	Belt protector		
18	3818174	1	Bracket		
19	979230	1	Flange nut		
20	3818185	1	Bracket		
21	946173	2	Flange screw		
22	930762	1	Expanding nut, expander		
23	976944	1	Washer		
24	945444	1	Flange screw		
25	3809563	1	Cardboard tube		