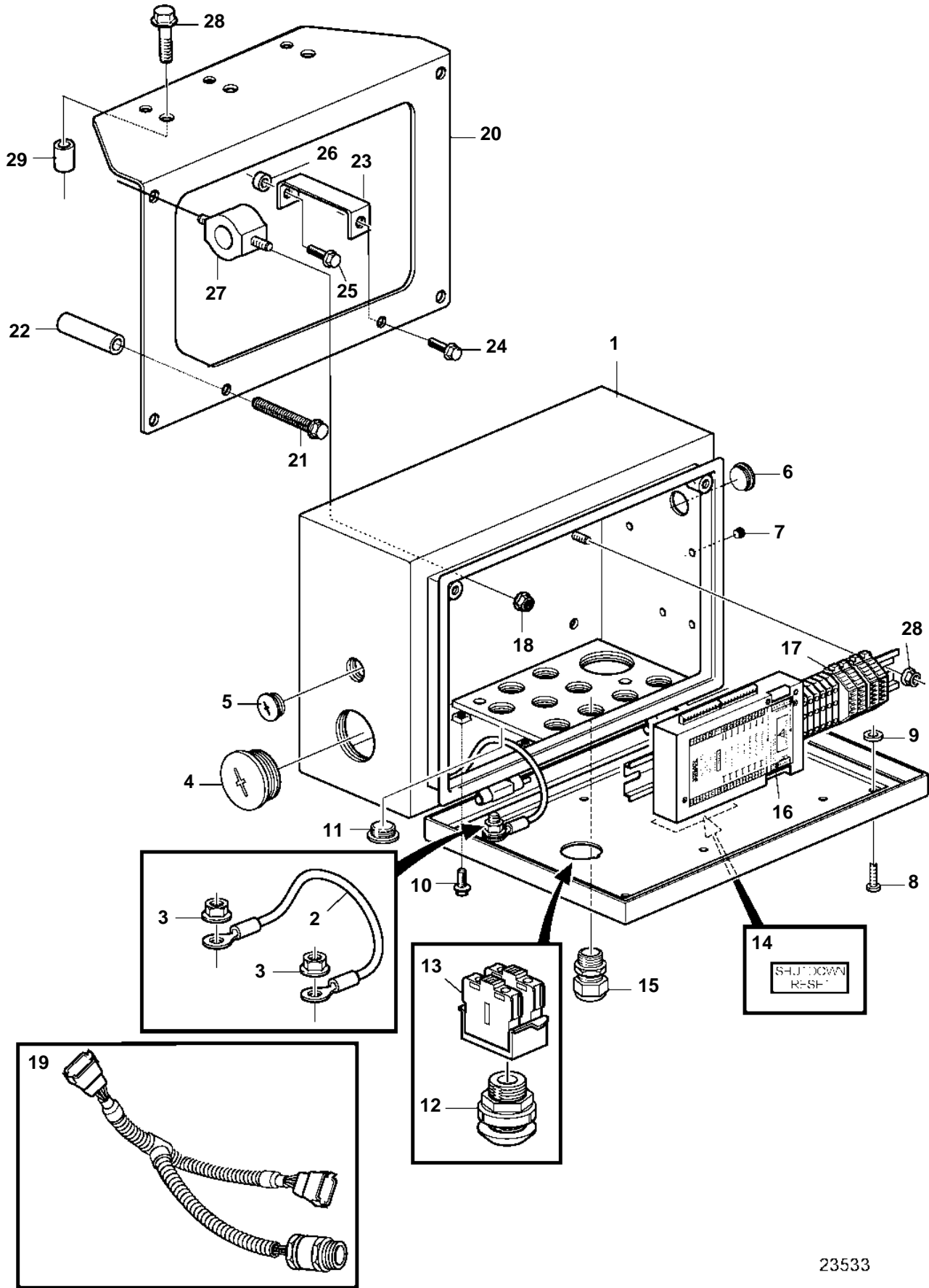


D9A2B MH



23533

D9A2B MH

REF	PART NO.	QTY	DESCRIPTION	NOTES
1	3841323	1	Electrical distribut	
2		1	· Ground cable	
3	945408	2	· Flange nut	
4		1	· Plug	
5		1	· Plug	
6		2	· Plug	
7	974680	7	· Plug	
8		2	· Screw	M6x22
9		2	· Washer	Washer with rubber gasket.
10	967949	4	· Flange screw	
11		10	· Plug	
12	3817578	1	Push button	
13	3817574	1	Contact unit	
14	3586456	1	Label	
15	3883134	X	Cable union	
16		1	Electronic unit	
17	888003	1	Terminal block	
18	965483	6	Flange nut	
19	3819111	1	Wiring harness	
20	3819021	1	Bracket	
21	965182	1	Flange screw	
22	847690	1	Spacer sleeve	
23	3819090	1	Bracket	
24	945444	1	Flange screw	
25	946472	1	Flange screw	
26	977412	1	Spacer sleeve	
27	3839156	4	Rubber cushion	
28	947422	2	Hexagon screw	
29	973430	2	Spacer sleeve	