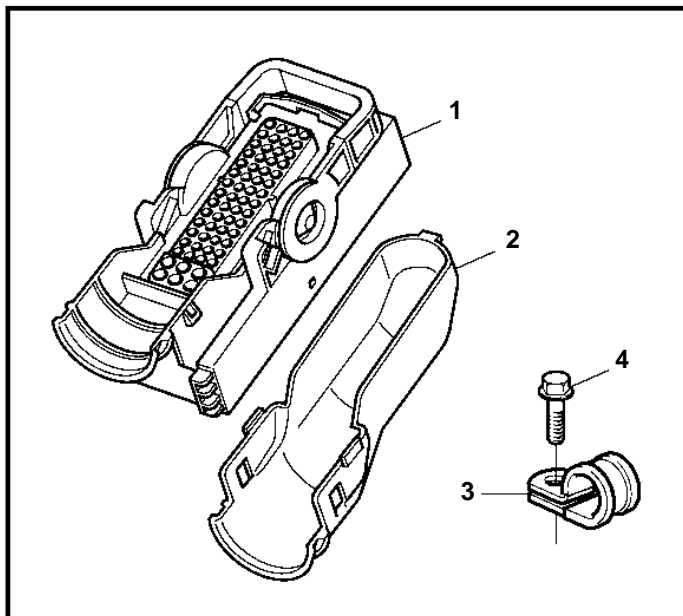
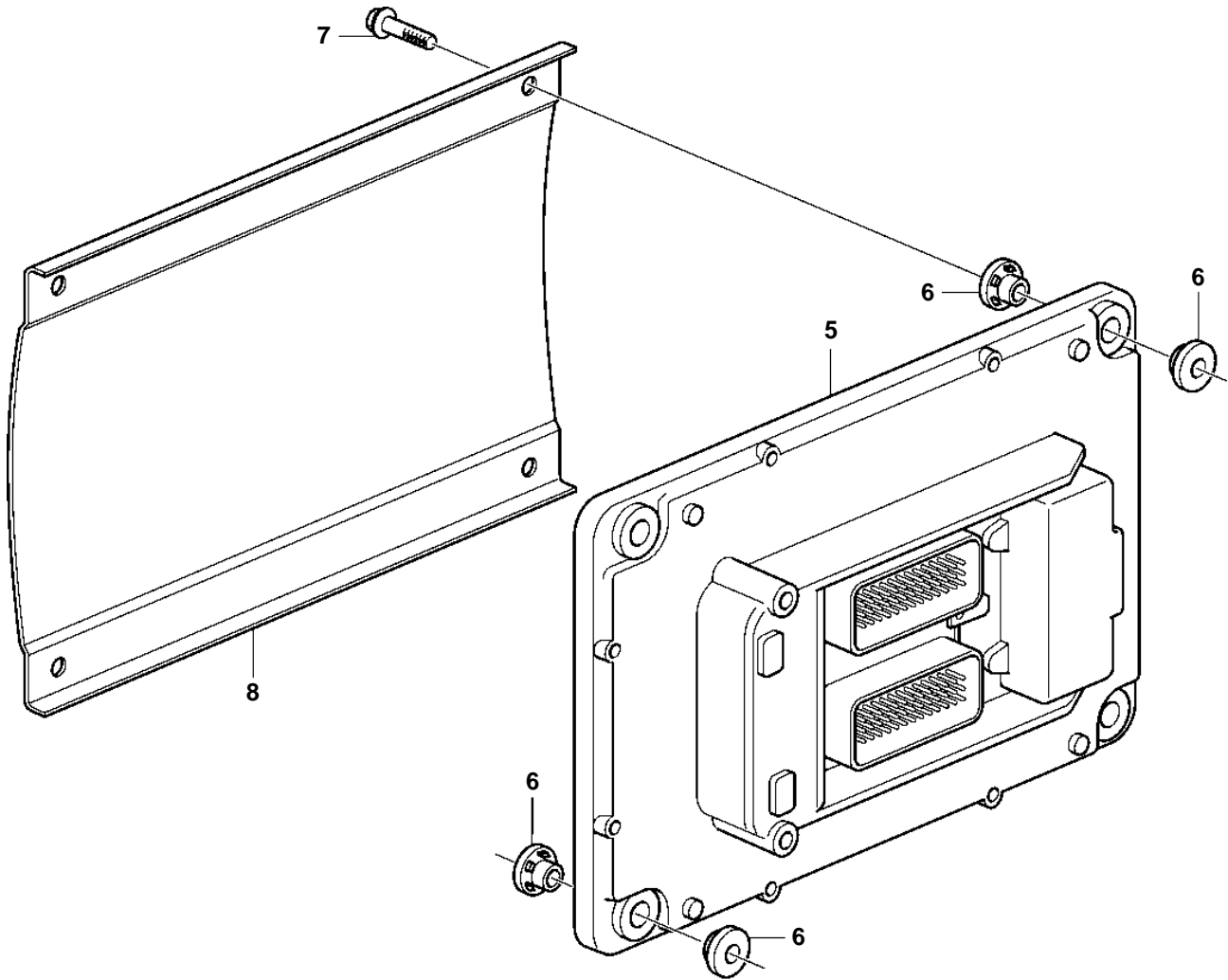


D9A2A D9-425, D9A2A D9-500 (R4), D9A2A D9-575, D9A2B 425, D9A2B D9-500 (R5), D9A2B D9-575, D9A2A D9A-MH, D9A2B MH



Upd: 2009-12-16

20782

20782  
7746900 - 30 - 7502

D9A2A D9-425, D9A2A D9-500 (R4), D9A2A D9-575, D9A2B 425, D9A2B D9-500 (R5), D9A2B D9-575, D9A2A D9A-MH, D9A2B MH

REF	PART NO.	QTY	DESCRIPTION	NOTES
1	20429842	1	Housing	BLACK
	20429843	1	Housing	gray
2	20429844	1	Adapter	
3	949997	2	Clamp	
4	946440	2	Flange screw	
5	20814594	1	Control unit, not programmed	12V, 24V
	3586269	1	Software	Warehouse programming. This p/n can not be ordered, but will be used for invoicing.
	3586268	1	Software	Vodia-programming. This p/n can not be ordered, but will be used for invoicing.
6	3095161	4	· Rubber cushion	
7	947760	4	Flange screw	
8	889687	1	Protecting plate	