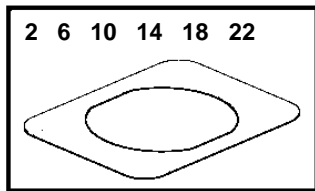
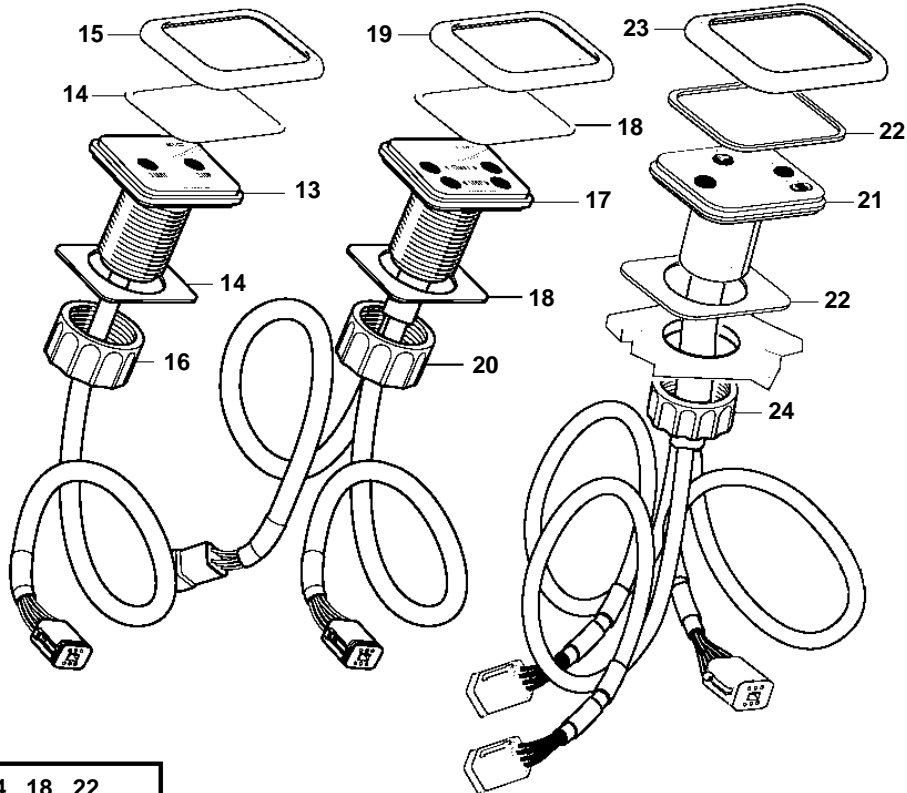
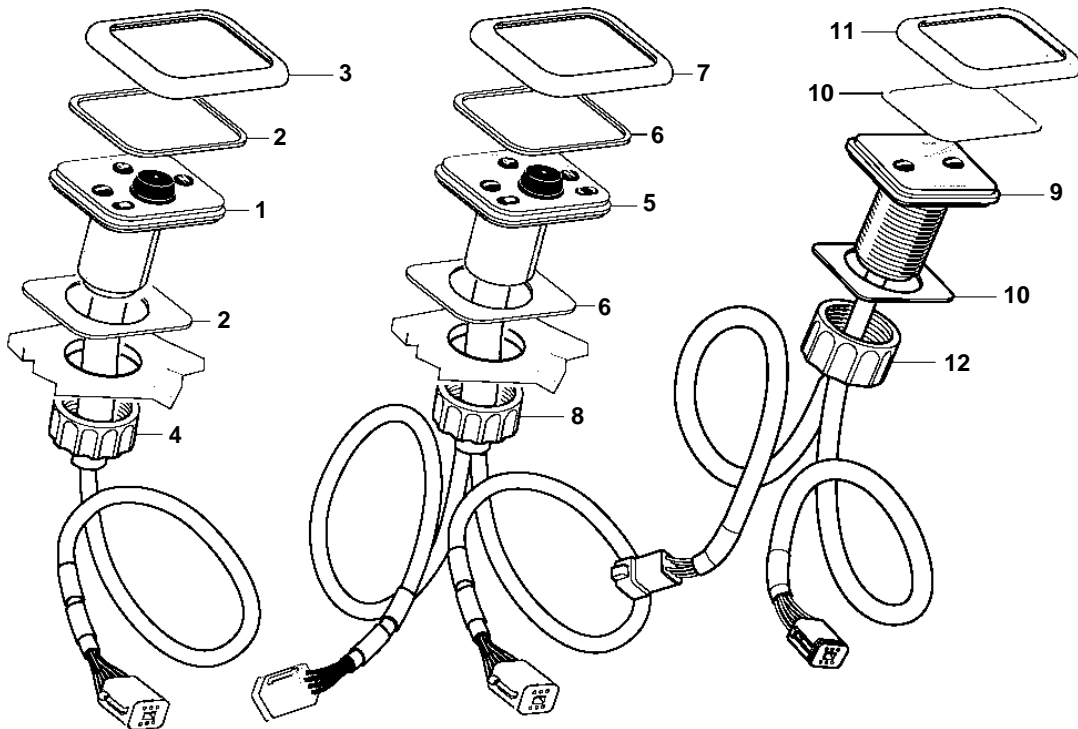


D9A2A D9-425, D9A2A D9-500 (R4), D9A2A D9-575, D9A2B 425, D9A2B D9-500 (R5), D9A2B D9-575, D9A2A D9A-MH, D9A2B MH



24547

D9A2A D9-425, D9A2A D9-500 (R4), D9A2A D9-575, D9A2B 425, D9A2B D9-500 (R5), D9A2B D9-575, D9A2A D9A-MH, D9A2B MH

REF	PART NO.	QTY	DESCRIPTION	NOTES
1	21310162	1	Control panel	Single installation
2	3808135	1	• Gasket	Also for flushmounting.
3	3808131	1	• Frame	
4	3808134	1	• Nut	
5	21310164	1	Control panel	Twin installation
6	3808135	1	• Gasket	Also for flushmounting.
7	3808131	1	• Frame	
8	3808134	1	• Nut	
9	21144011	1	Control panel	Sportfish
10	3808135	1	• Gasket	Also for flushmounting.
11	3808131	1	• Frame	
12	3808134	1	• Nut	
13	40005641		Control panel, start/stop	Single installation, Dual station
14	3808135	1	• Gasket	Also for flushmounting.
15	3808131	1	• Frame	
16	3808134	1	• Nut	
17	40005642	1	Control panel, start/stop	Twin installation, Dual station
18	3808135	1	• Gasket	Also for flushmounting.
19	3808131	1	• Frame	
20	3808134	1	• Nut	
21	3594954	1	Kit, start/stop	Triple installation.
22	3808135	1	• Gasket	
23	3808131	1	• Frame	
24	3808134	1	• Nut	