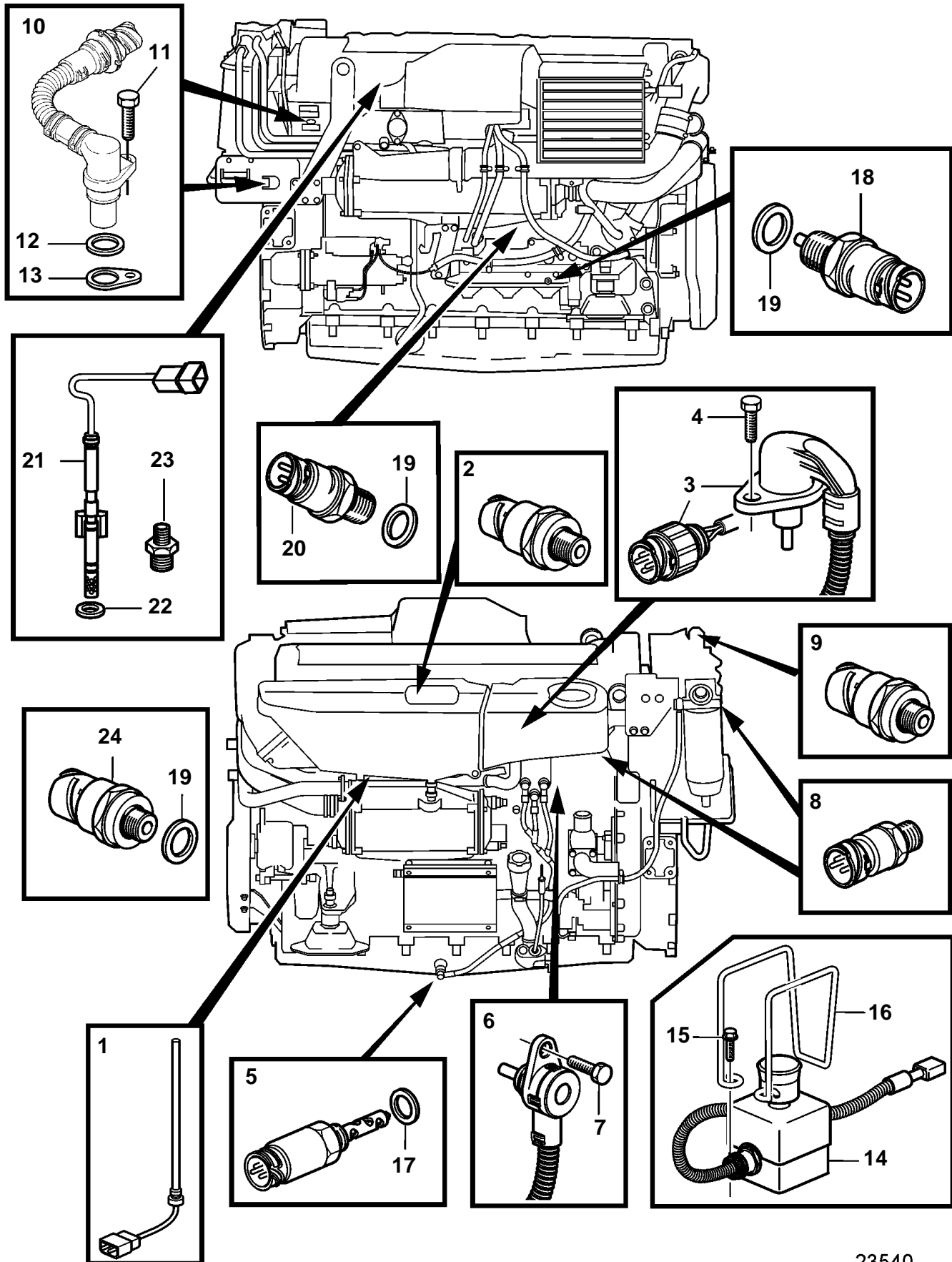


D9A2A D9A-MH, D9A2B MH



D9A2A D9A-MH, D9A2B MH

REF	PART NO.	QTY	DESCRIPTION	NOTES
1	3588990	1	Level sensor, expansion tank	
2	20796744	1	Pressure sensor, crankcase pressure	(20499340)
3	20909613	1	Sensor, charge air pressure/temp	
4	946934	1	Flange screw	
5	874328	1	Level guard, oil	
6	20576617	1	Sensor, coolant water temp.	(20429956)
7	946440	1	Flange screw	
8	20886108	2	Pressure sensor, fuel/oil pressure	(20484678), Replaced by 20898038
	20898038	2	Pressure sensor	
9	1077574	1	Sensor, oil pressure/temperature	
10	3172774	2	Tachometer sensor	
11	940326	1	Hex. socket screw	
12	974673	1	O-ring	
13	1677894	X	Shim	
14	3588180	1	Stop button	
15	946440	2	Flange screw	
16	3838198	1	Protecting brace	
17	11998	1	Gasket	
18	874673	1	Pressure switch, piston cooling	Replaced by 21202753.
	21202753	1	Pressure switch	
19	968559	2	O-ring	
20	3808805	1	Pressure sensor, fresh water	
21	874330	1	Temperature sensor, exhaust	
22	947626	1	Gasket	
23	874318	1	Fitting	
24	3808805	1	Pressure sensor	For MG5114SC