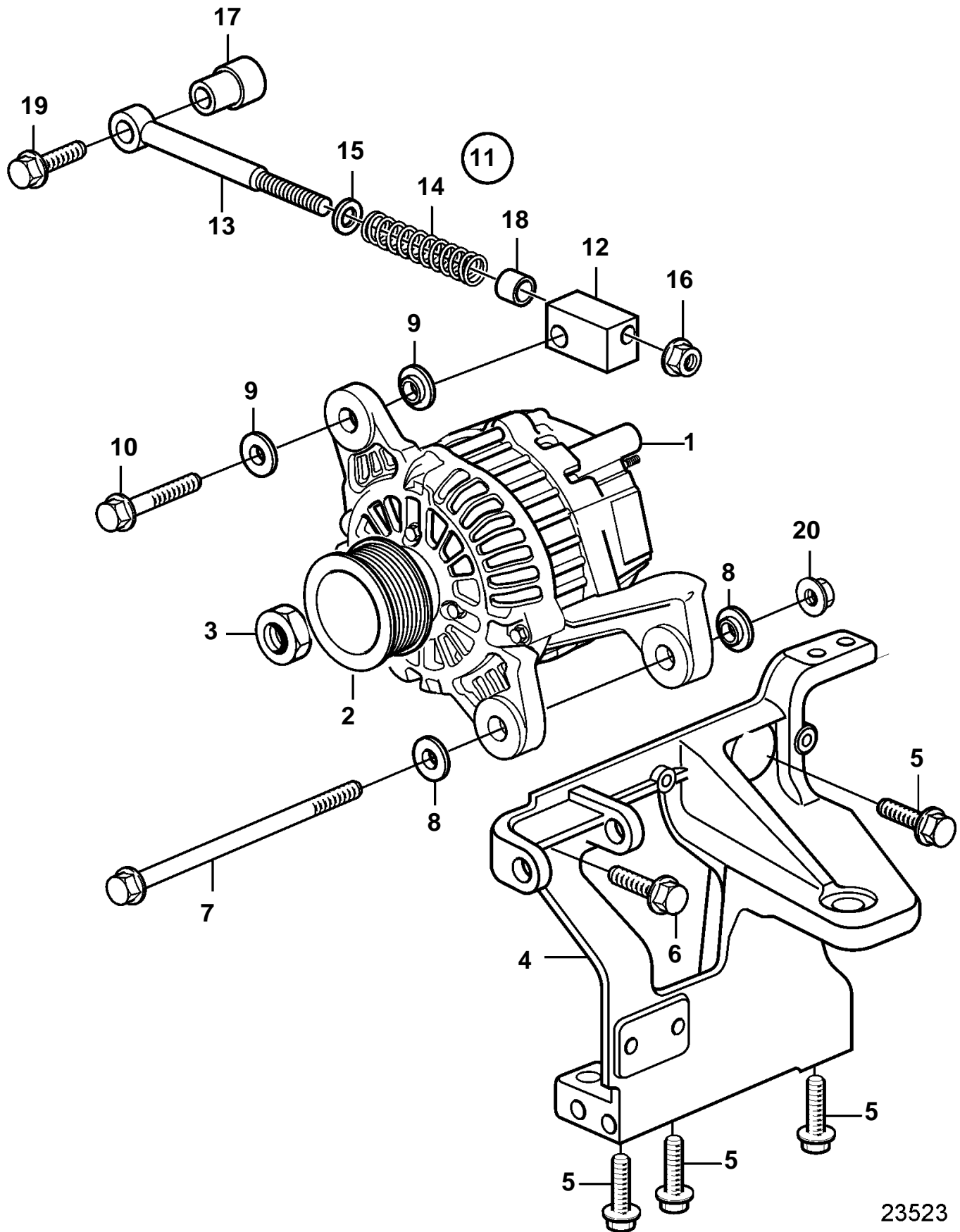


D9A2A D9-425, D9A2A D9-500 (R4), D9A2A D9-575, D9A2B 425, D9A2B D9-500 (R5), D9A2B D9-575, D9A2A D9A-MH, D9A2B MH



23523

D9A2A D9-425, D9A2A D9-500 (R4), D9A2A D9-575, D9A2B 425, D9A2B D9-500 (R5), D9A2B D9-575, D9A2A D9A-MH, D9A2B MH

REF	PART NO.	QTY	DESCRIPTION	SEE SEC.	NOTES
1	3803845	1	Alternator, exch		28V 80A
				8811	
2		1	· Pulley		
3		1	· Nut		
4	3807514	1	Engine mountings		
5	968436	4	Flange screw		
6	946472	1	Flange screw		
7	979935	1	Flange screw		
8	3589388	2	Insulating bushing		
9	3589369	2	Insulating bushing		
10	973924	1	Flange screw		
11	3818375	1	Belt tensioner		
12	3839352	1	· Belt tensioner		
13	3807549	1	· Belt tensioner		
14	3808850	1	· Compression spring		
15	955897	1	· Washer		
16	971095	1	· Flange nut		
17	3807551	1	· Bushing		
18	3818379	1	· Spacer		
19	965187	1	Flange screw		
20	979230	1	Flange nut		