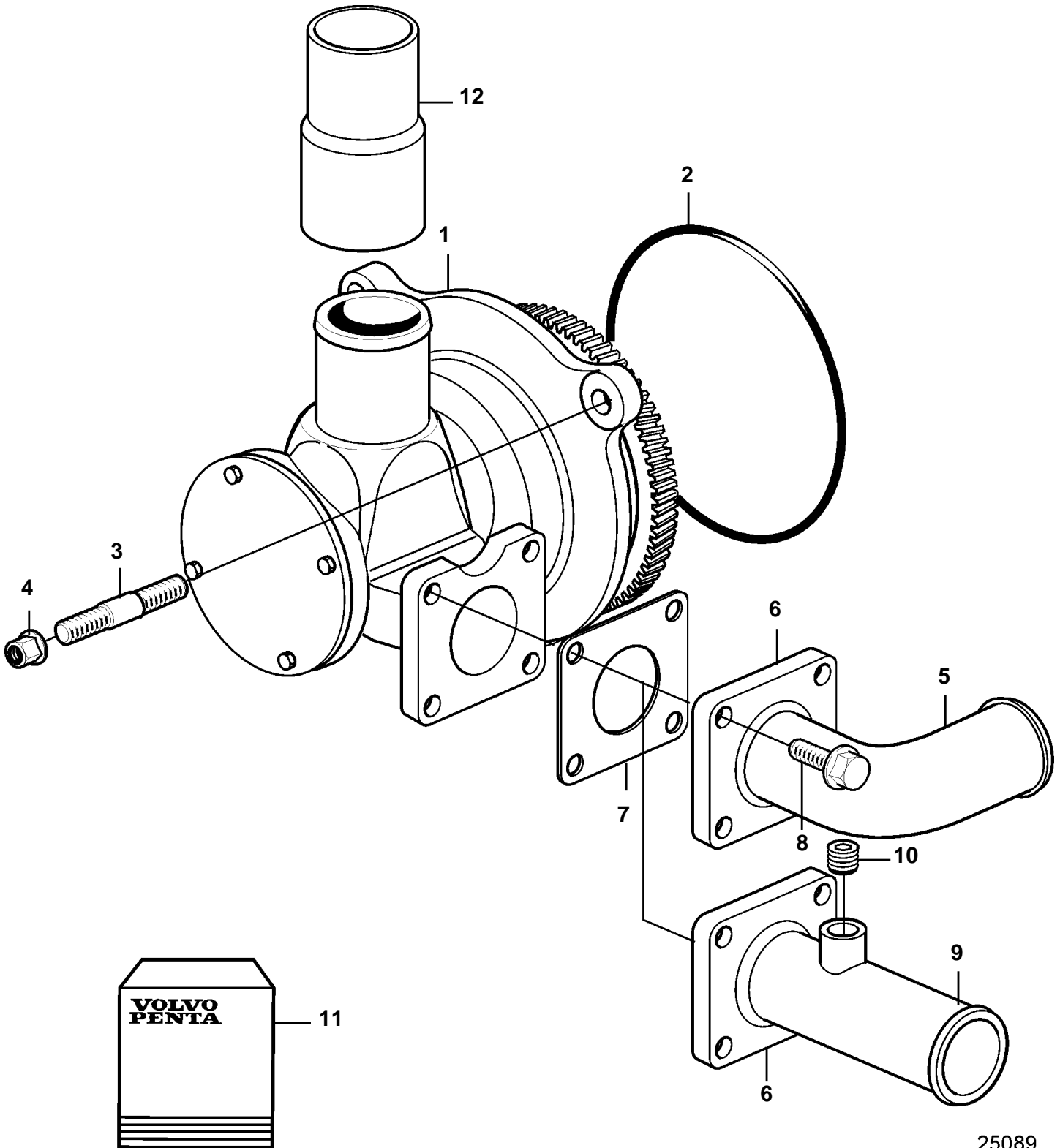


D9A2A D9-425, D9A2A D9-500 (R4), D9A2A D9-575, D9A2B 425, D9A2B D9-500 (R5), D9A2B D9-575, D9A2A D9A-MH, D9A2B MH



25089

D9A2A D9-425, D9A2A D9-500 (R4), D9A2A D9-575, D9A2B 425, D9A2B D9-500 (R5), D9A2B D9-575, D9A2A D9A-MH, D9A2B MH

REF	PART NO.	QTY	DESCRIPTION	SEE SEC.	NOTES
1	21380886	1	Sea water pump		
				21520	
2	949735	1	O-ring		
3	953098	3	Stud		
4	971096	3	Flange nut		
5	848596	1	Hose attachment		
6	842029	1	Flange		
7	3888837	1	Gasket		(862592)
8	946441	4	Flange screw		
9	21120684	1	Pipe		KC
10	968063	1	· Plug		M16
11	3817587	1	Impeller kit		
		1	· Impeller		
	3587885	1	· O-ring		
12	3837438	1	Collar		