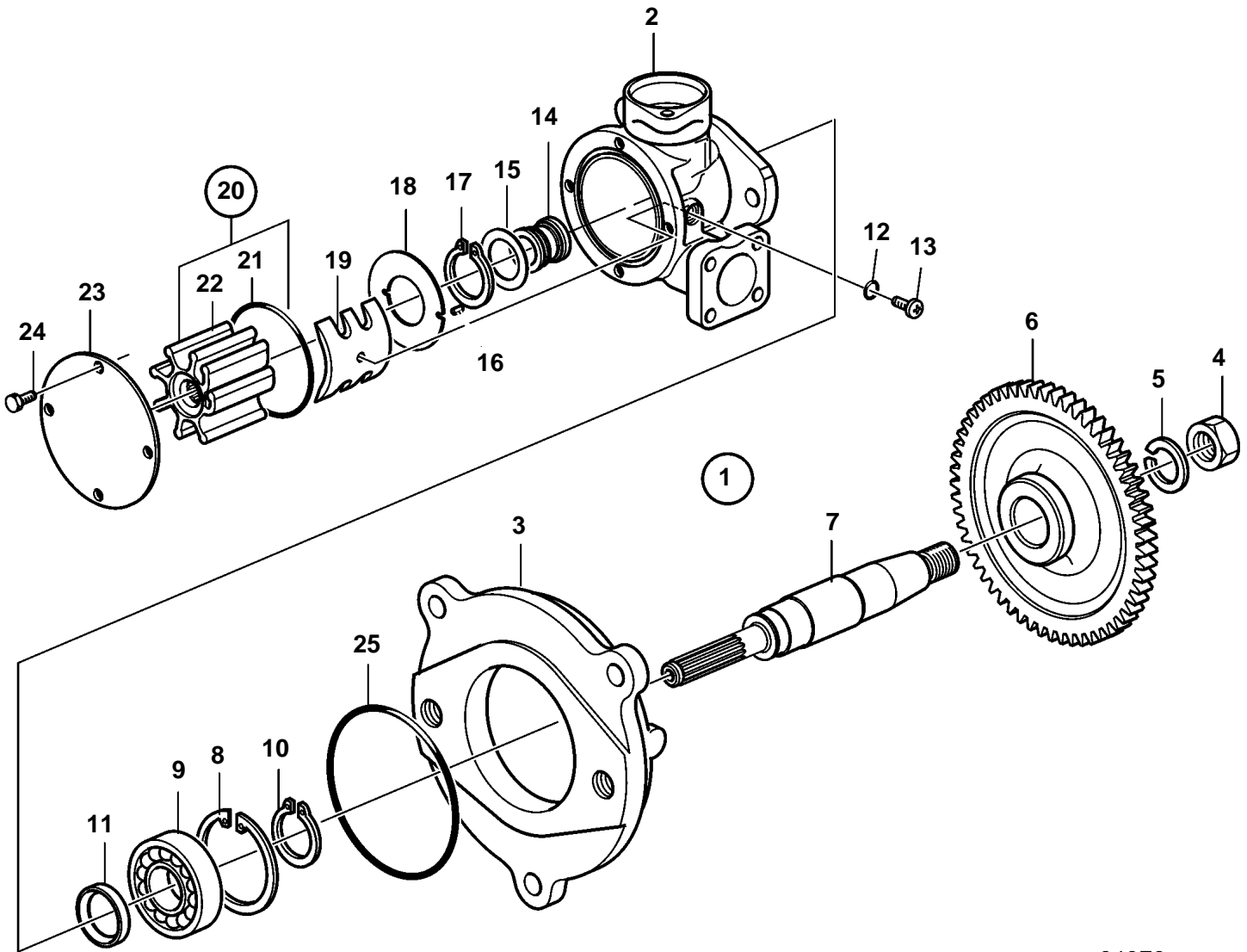


D9A2A D9-425, D9A2A D9-500 (R4), D9A2A D9-575, D9A2B 425, D9A2B D9-500 (R5), D9A2B D9-575, D9A2A D9A-MH, D9A2B MH



24670

D9A2A D9-425, D9A2A D9-500 (R4), D9A2A D9-575, D9A2B 425, D9A2B D9-500 (R5), D9A2B D9-575, D9A2A D9A-MH, D9A2B MH

REF	PART NO.	QTY	DESCRIPTION
1	21380886	1	Sea water pump
2		1	· Pump housing
3		1	· Bearing housing
4	3587886	1	· Hexagon nut
5		1	· Spring washer
6	3161258	1	· Gear
7	3587880	1	· Pump shaft
8	812953	1	· Lock ring
9	3587881	1	· Bearing
10	812951	1	· Lock ring
11	3587882	1	· Sealing
12	3583614	1	· O-ring
13	3583605	1	· Screw
14	3583609	1	· Sealing
15	888388	1	· Washer
16	888387	1	· Pin
17	809444	1	· Lock ring
18	807589	1	· Wear washer
19	3583603	1	· Lock ring
20	3817587	1	· Impeller kit
21	3587885	1	· · O-ring
22		1	· · Impeller
23	3587879	1	· End cover
24	3583605	4	· Screw
25	925259	1	O-ring