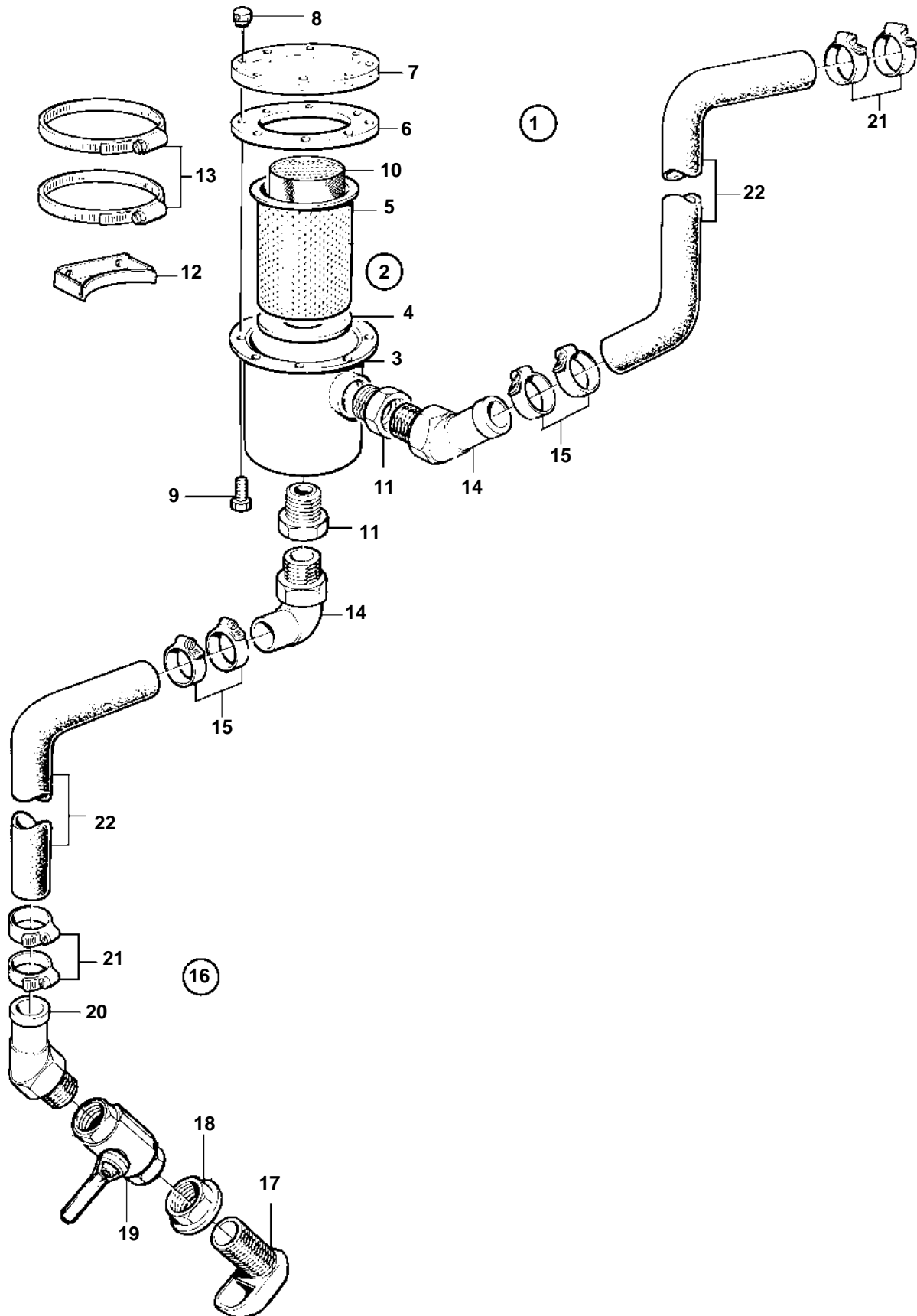


D9A2A D9-425, D9A2A D9-500 (R4), D9A2A D9-575, D9A2B 425, D9A2B D9-500 (R5), D9A2B D9-575, D9A2A D9A-MH, D9A2B MH, D9A2C D9A-MH, D9A2C D9-425, D9A2D D9-500 (R5), D9A2E D9-425, D9A2F D9-575



17221

D9A2A D9-425, D9A2A D9-500 (R4), D9A2A D9-575, D9A2B 425, D9A2B D9-500 (R5), D9A2B D9-575, D9A2A D9A-MH, D9A2B MH, D9A2C D9A-MH, D9A2C D9-425, D9A2D D9-500 (R5), D9A2E D9-425, D9A2F D9-575

REF	PART NO.	QTY	DESCRIPTION	NOTES
1	1140034	1	Sea water filter	D=32mm
2	842466	1	· Sea water filter	
3		1	· · Housing	
4	3589331	1	· · Gasket kit	
5	843358	1	· · Filter	
6	3589331	1	· · Gasket kit	
7	843359	1	· · Cardboard tube	
8	843357	8	· · Nut	
9	843362	8	· · Screw	
10	844902	1	· Sea water filter	
11	844903	2	· Bushing	
12	828061	2	· Retainer	
13	961678	2	· Hose clamp	
14	828696	2	· Hose attachment	
15	961669	4	· Hose clamp	
16	1140129	1	Cooling water inlet	D=32mm
17	836876	1	· Strainer	
18	836879	1	· Nut	
19	1140125	1	· Ball valve	
20	828696	1	· Hose attachment	45°
21	961670	2	· Hose clamp	
22	1140664	X	Exhaust hose	D=32mm