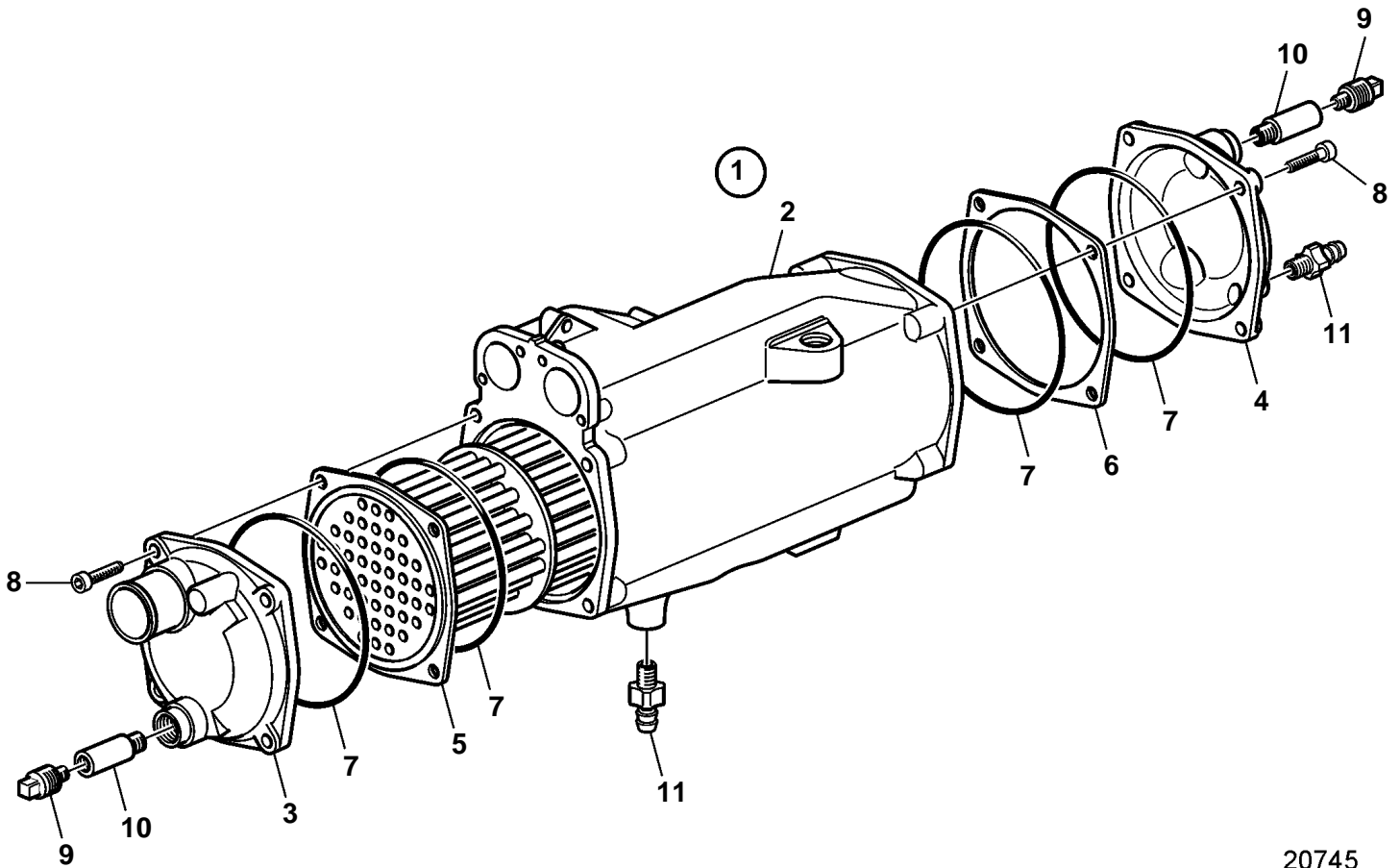


D9A2A D9-575, D9A2B D9-575



20745

D9A2A D9-575, D9A2B D9-575

| REF | PART NO. | QTY | DESCRIPTION | NOTES |
|-----|----------|-----|------------------------|-------|
| 1 | 21202089 | 1 | Heat exchanger | 575hp |
| 2 | | 1 | · Heat exchanger housi | |
| 3 | 3588542 | 1 | · Cardboard tube | |
| 4 | 3588541 | 1 | · Cardboard tube | |
| 5 | 3588540 | 1 | · Tube | |
| 6 | 3588537 | 1 | · Spacer | |
| 7 | 3588536 | 4 | · O-ring | |
| 8 | 3838337 | 8 | · Screw | |
| 9 | 838928 | 2 | · Plug | |
| 10 | 838929 | 1 | · Electrode | |
| 11 | 3583822 | 2 | · Draining nipple | |