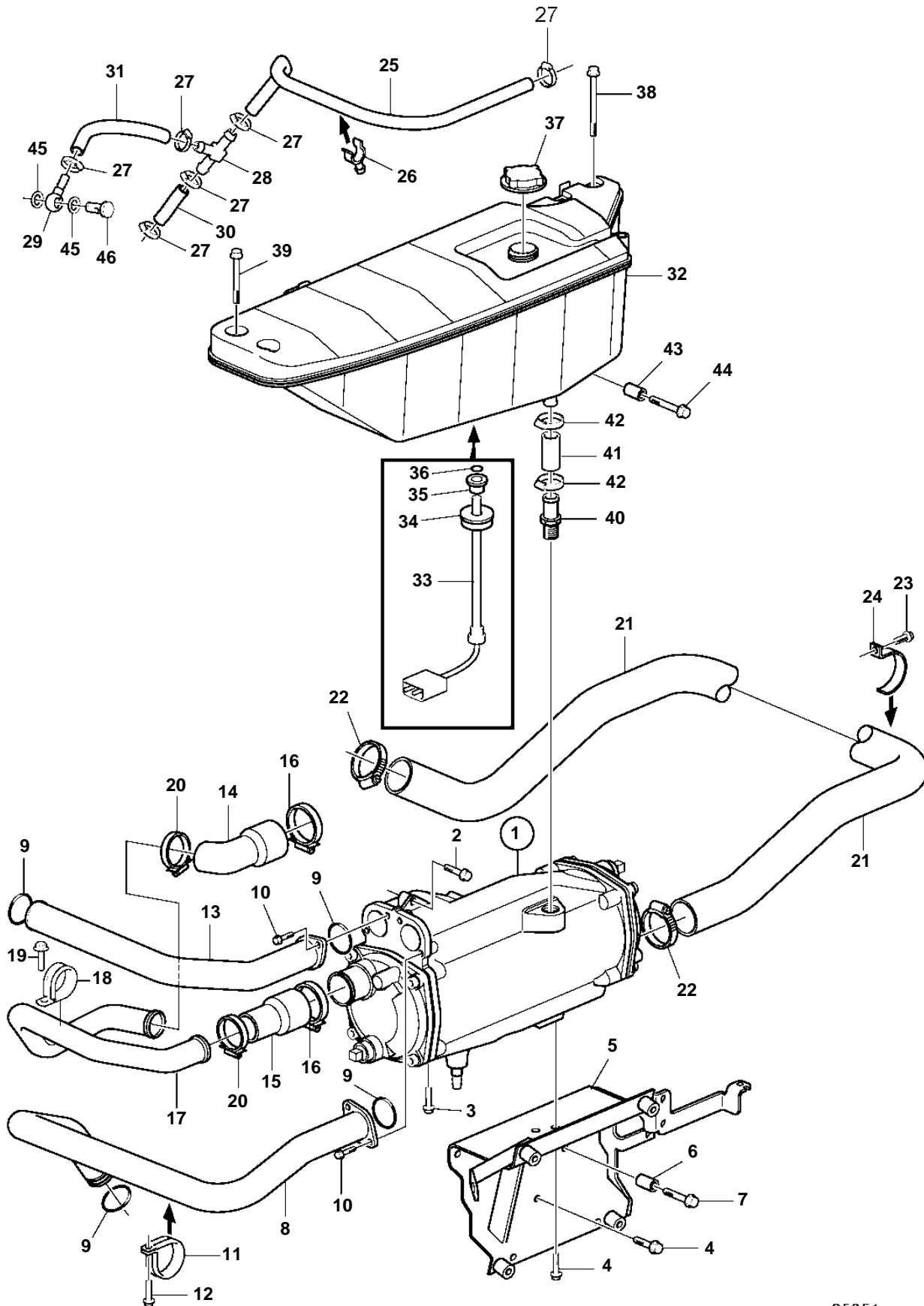


D9A2A D9-425, D9A2A D9-500 (R4), D9A2A D9-575, D9A2B 425, D9A2B D9-500 (R5), D9A2B D9-575, D9A2A D9A-MH, D9A2B MH



D9A2A D9-425, D9A2A D9-500 (R4), D9A2A D9-575, D9A2B 425, D9A2B D9-500 (R5), D9A2B D9-575, D9A2A D9A-MH, D9A2B MH

REF	PART NO.	QTY	DESCRIPTION	SEE SEC.	NOTES
1		1	Heat exchanger		
					425,500hp
				7452	
					575hp
				7596	
2	946671	1	Flange screw		
3	945444	2	Flange screw		
4	946173	3	Flange screw		
5	21134285	1	Anchorage		
6	847240	3	Spacer sleeve		
7	947760	3	Flange screw		
8	3836308	1	Coolant pipe		
9	1547253	4	Sealing ring		
10	946173	4	Flange screw		
11	947457	2	Clamp		
12	967949	4	Flange screw		
13	3836309	1	Coolant pipe		
14	3812324	1	Rubber hose		
15	3837438	1	Collar		
16	961672	2	Hose clamp		
17	3807339	1	Pipe		
18	947457	2	Clamp		
19	967949	2	Flange screw		
20	961671	2	Hose clamp		
21	3817427	1	Hose		
22	961672	2	Hose clamp		
23	946544	2	Flange screw		
24	948560	2	Clamp		
25	943367	X	Rubber hose		L=620mm
26	9135343	2	Retainer		
27	961663	6	Hose clamp		
28	984445	1	T-nipple		
29	20459906	1	Banjo nipple		
30	943367	X	Rubber hose		L=115mm
31	943367	X	Rubber hose		L=170mm
32	3587686	1	Expansion tank		Replaced by 3885197
	3885197	1	Expansion tank		
33	3588990	1	· Level sensor		
34		1	· Float		Not as spare part. Only included in expansion tank assy 3587686.
35	3807256	1	· Plug		Not as spare part. Only included in expansion tank assy 3587686.
36	968039	1	· Retainer		Not as spare part. Only included in expansion tank assy 3587686.
37	1674083	1	· Pressure cap		
38	969225	2	Flange screw		
39	965181	2	Flange screw		
40	990410	1	Hose nipple		
41	969033	X	Rubber hose		L=50mm
42	943474	2	Hose clamp		
43	833243	1	Spacer sleeve		
44	973924	1	Flange screw		
45	982723	2	Gasket		
46	991048	1	Hollow screw		