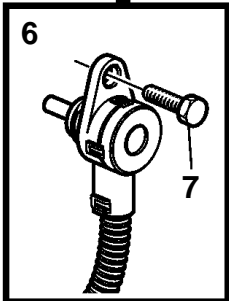
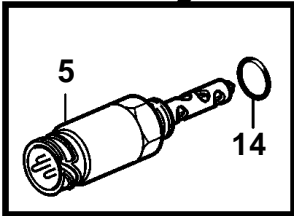
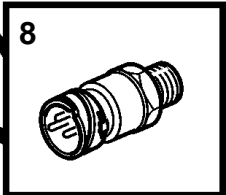
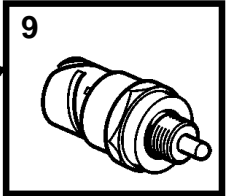
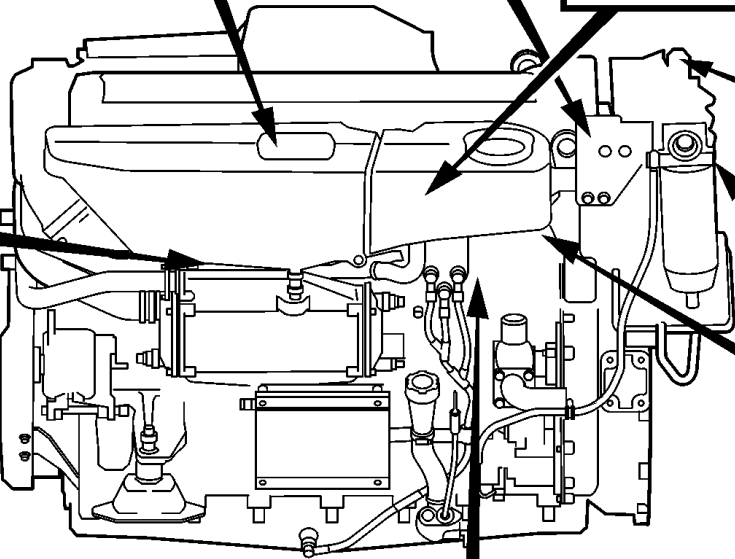
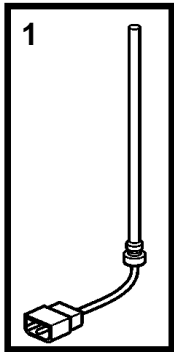
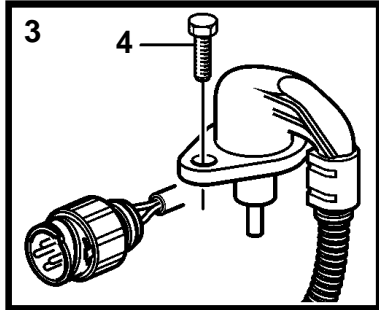
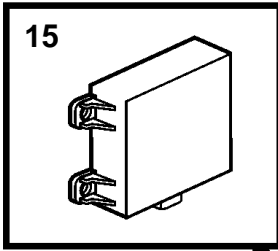
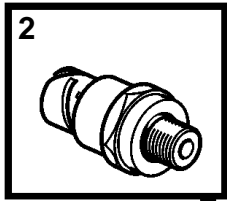
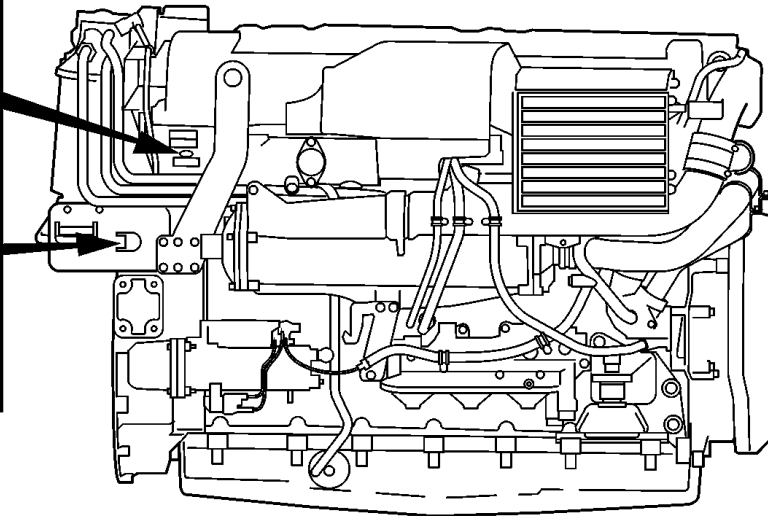
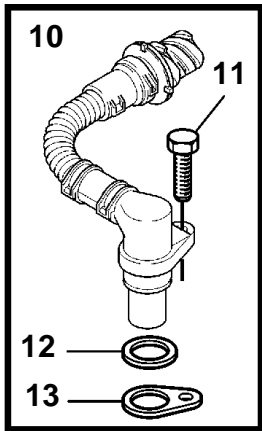


D9A2A D9-425, D9A2A D9-500 (R4), D9A2A D9-575, D9A2B 425, D9A2B D9-500 (R5), D9A2B D9-575, D9A2A D9A-MH, D9A2B MH, D9A2C D9A-MH, D9A2C D9-425, D9A2D D9-500 (R5), D9A2E D9-425, D9A2F D9-575



23539

D9A2A D9-425, D9A2A D9-500 (R4), D9A2A D9-575, D9A2B 425, D9A2B D9-500 (R5), D9A2B D9-575, D9A2A D9A-MH, D9A2B MH, D9A2C D9A-MH, D9A2C D9-425, D9A2D D9-500 (R5), D9A2E D9-425, D9A2F D9-575

REF	PART NO.	QTY	DESCRIPTION	NOTES
1	3588990	1	Level sensor, expansion tank	
2	20796744	1	Pressure sensor	(20499340)
3	20909613	1	Sensor, charge air pressure/temp	
4	946934	1	Flange screw	
5	874328	1	Level guard, oil	
6	20576617	1	Sensor	(20429956)
7	946440	1	Flange screw	
8	20898038	2	Pressure sensor, fuel/oil pressure	(20886108)
9	1077574	1	Sensor, oil pressure/temperature	
10	3172774	2	Tachometer sensor	
11	940326	1	Hex. socket screw	
12	974673	1	O-ring	
13	1677894	X	Shim	
14	968559	1	O-ring	
15	3842462	1	Voltage converter	12V