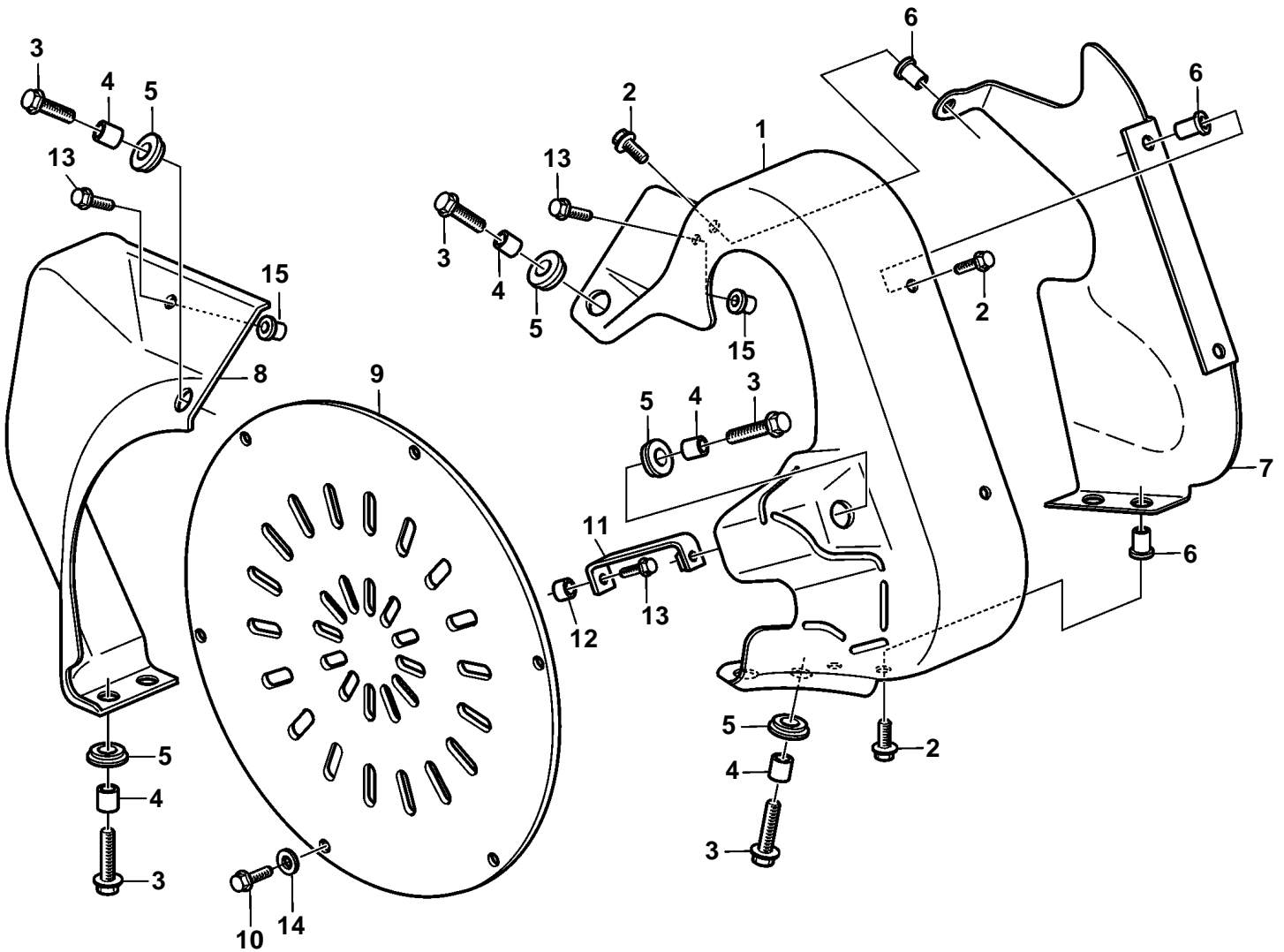


D9A2A D9A-MH, D9A2B MH



23439

D9A2A D9A-MH, D9A2B MH

REF	PART NO.	QTY	DESCRIPTION
1	3887452	1	Belt protector
2	947542	5	Flange screw
3	945444	9	Flange screw
4	3830336	7	Spacer
5	990240	7	Grommet
6	930760	5	Expanding nut
7	3840620	1	Belt protector
8	3887454	1	Belt protector
9	3840618	1	Belt protector
10	946471	6	Flange screw
11	3819090	1	Bracket
12	977799	1	Spacer sleeve
13	946472	1	Flange screw
14	941908	6	Spring washer
15	930762	2	Expanding nut