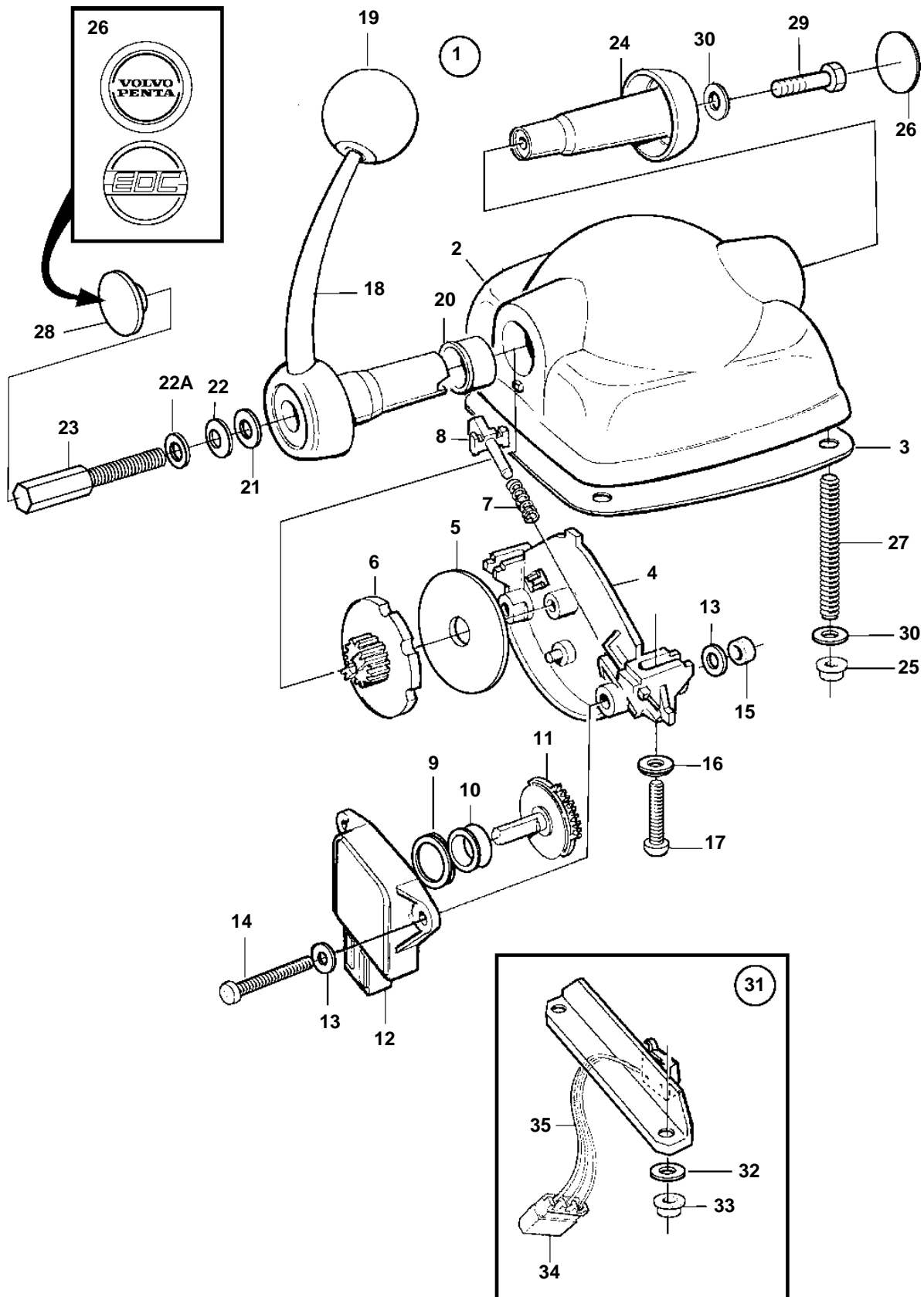


D9A2A D9-425, D9A2A D9-500 (R4), D9A2A D9-575, D9A2B 425, D9A2B D9-500 (R5), D9A2B D9-575, D9A2A D9A-MH, D9A2B MH



D9A2A D9-425, D9A2A D9-500 (R4), D9A2A D9-575, D9A2B 425, D9A2B D9-500 (R5), D9A2B D9-575, D9A2A D9A-MH, D9A2B MH

REF	PART NO.	QTY	DESCRIPTION	SEE SEC.	NOTES
1	3819899	1	Control		For single installation., Black., With neutralswitch.
			Bulletin P-28-4-13	P-28-4-13-EN	New Electronic Controls for EVC Engines
1	3819901	1	Control		For single installation., Stainless., With neutralswitch.
			Bulletin P-28-4-13	P-28-4-13-EN	New Electronic Controls for EVC Engines
2		1	· Housing		
3	3581674	1	· Gasket		
4		1	· Plate		
5	3581666	1	· Friction washer		
6		1	· Disc		
7		1	· Spring		
8		1	· Guide lug		
9		1	· Spacer ring		
10	3581676	1	· Ring		
11	3581668	1	· Gear		
12	1336385	1	· Potentiometer		
13		4	· Washer		
14	3581678	2	· Screw		
15	3581680	2	· Nut		
16		2	· Washer		
17	3581681	2	· Screw		
18		1	· Shift lever		
19	3581675	1	· Ball		
20		1	· Bearing		
21		1	· Washer		
22		1	· Disc spring		
22A		1	· Washer		
23		1	· Adjusting screw		
24	3581687	1	· Plug		
25	3581686	4	· Nut		
26	3584000	1	· Decal		VOLVO PENTA
	3581669	1	· Decal		EDC
27		4	· Stud		
28	3582830	1	· Plug		Plastic, For 874734
29		1	· Plug		Stainless., For 3807509
		1	· Screw		
30		5	· Washer		
31	3818851	1	· Microswitch		(873870)
32		2	· Washer		
33		2	· Nut		
34		X	· Insulator		SEE GROUP 30
35		X	· Cable		SEE GROUP 30