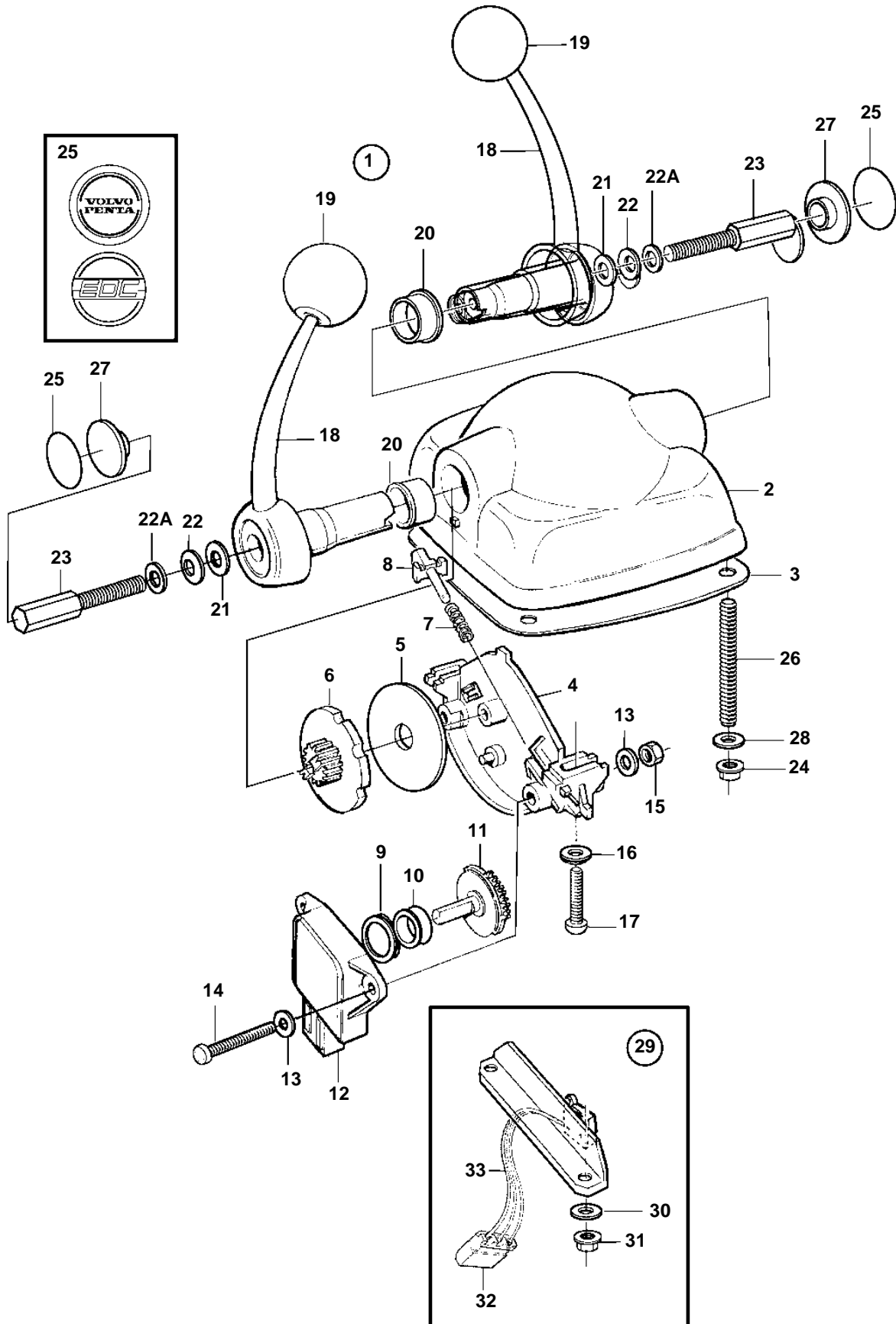


D9A2A D9-425, D9A2A D9-500 (R4), D9A2A D9-575, D9A2B 425, D9A2B D9-500 (R5), D9A2B D9-575, D9A2A D9A-MH, D9A2B MH



D9A2A D9-425, D9A2A D9-500 (R4), D9A2A D9-575, D9A2B 425, D9A2B D9-500 (R5), D9A2B D9-575, D9A2A D9A-MH, D9A2B MH

REF	PART NO.	QTY	DESCRIPTION	SEE SEC.	NOTES
1	3819900	1	Control		For twin installation., Black., With neutralswitch.
			Bulletin P-28-4-13	P-28-4-13-EN	New Electronic Controls for EVC Engines
1	3819902	1	Control		For twin installation., Stainless., With neutralswitch.
			Bulletin P-28-4-13	P-28-4-13-EN	New Electronic Controls for EVC Engines
2		1	· Housing		
3	3581674	1	· Gasket		
4		1	· Plate		
5	3581666	2	· Friction washer		
6		2	· Disc		
7		2	· Spring		
8		2	· Guide lug		
9		2	· Spacer ring		
10	3581676	2	· Ring		
11	3581668	2	· Gear		
12	1336385	2	· Potentiometer		
13		4	· Washer		
14	3581678	2	· Screw		
15	3581680	2	· Nut		
16		2	· Washer		
17	3581681	2	· Screw		
18		2	· Shift lever		
19	3581675	2	· Ball		
20		2	· Bearing		
21		2	· Washer		
22		2	· Disc spring		
22A		2	· Washer		
23		2	· Adjusting screw		
24	3581686	4	· Nut		
25	3584000	2	· Decal		VOLVO PENTA
	3581669	2	· Decal		EDC
26		4	· Stud		
27	3582830	2	· Plug		Plastic, For 874663
		2	· Plug		Stainless., For 874813
28		4	· Washer		
29	3818851	2	· Microswitch		(873870)
30		4	· · Washer		
31		4	· · Nut		
32		X	· · Insulator		SEE GROUP 30
33		X	· · Cable		SEE GROUP 30