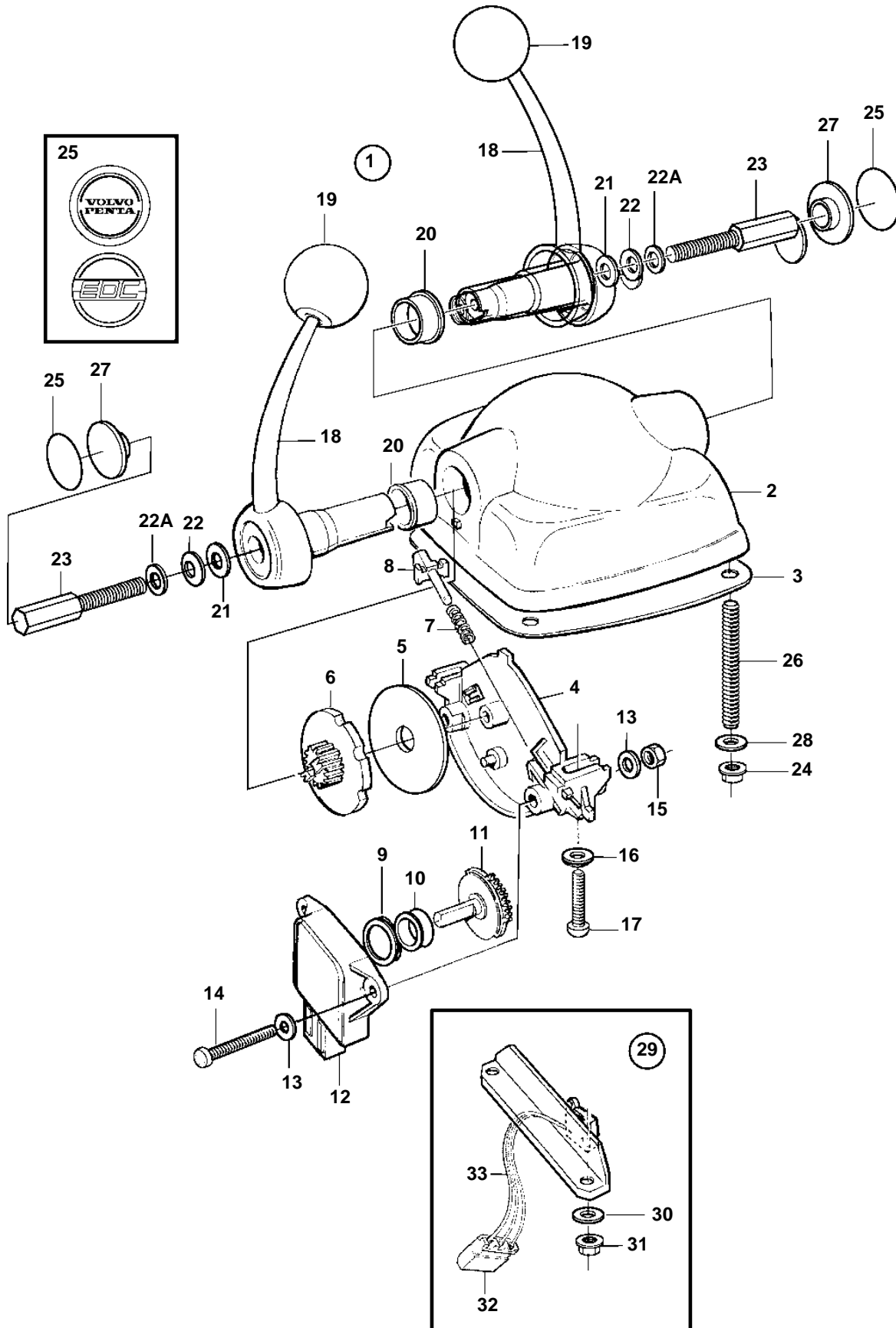


D9A2A D9-425, D9A2A D9-500 (R4), D9A2A D9-575, D9A2B 425, D9A2B D9-500 (R5), D9A2B D9-575, D9A2A D9A-MH, D9A2B MH



21947

D9A2A D9-425, D9A2A D9-500 (R4), D9A2A D9-575, D9A2B 425, D9A2B D9-500 (R5), D9A2B D9-575, D9A2A D9A-MH, D9A2B MH

REF	PART NO.	QTY	DESCRIPTION	SEE SEC.	NOTES
1	874663	1	Control		For twin installation., Black., (1140658)
	874813	1	Control		For twin installation., Stainless.
			• Bulletin 53-10	53-10-EN	Stainless Steel Controls
2		1	• Housing		
3	3581674	1	• Gasket		
4		1	• Plate		
5	3581666	2	• Friction washer		
6		2	• Disc		
7		2	• Spring		
8		2	• Guide lug		
9		2	• Spacer ring		
10	3581676	2	• Ring		
11	3581668	2	• Gear		
12	1336385	2	• Potentiometer		
13		4	• Washer		
14	3581678	2	• Screw		
15	3581680	2	• Nut		
16		2	• Washer		
17	3581681	2	• Screw		
18		2	• Shift lever		
19	3581675	2	• Ball		
20		2	• Bearing		
21		2	• Washer		
22		2	• Disc spring		
22A		2	• Washer		
23		2	• Adjusting screw		
24	3581686	4	• Nut		
25	3584000	2	• Decal		VOLVO PENTA
	3581669	2	• Decal		EDC
26		4	• Stud		
27	3582830	2	• Plug		Plastic, For 874663
		2	• Plug		Stainless., For 874813
28		4	• Washer		