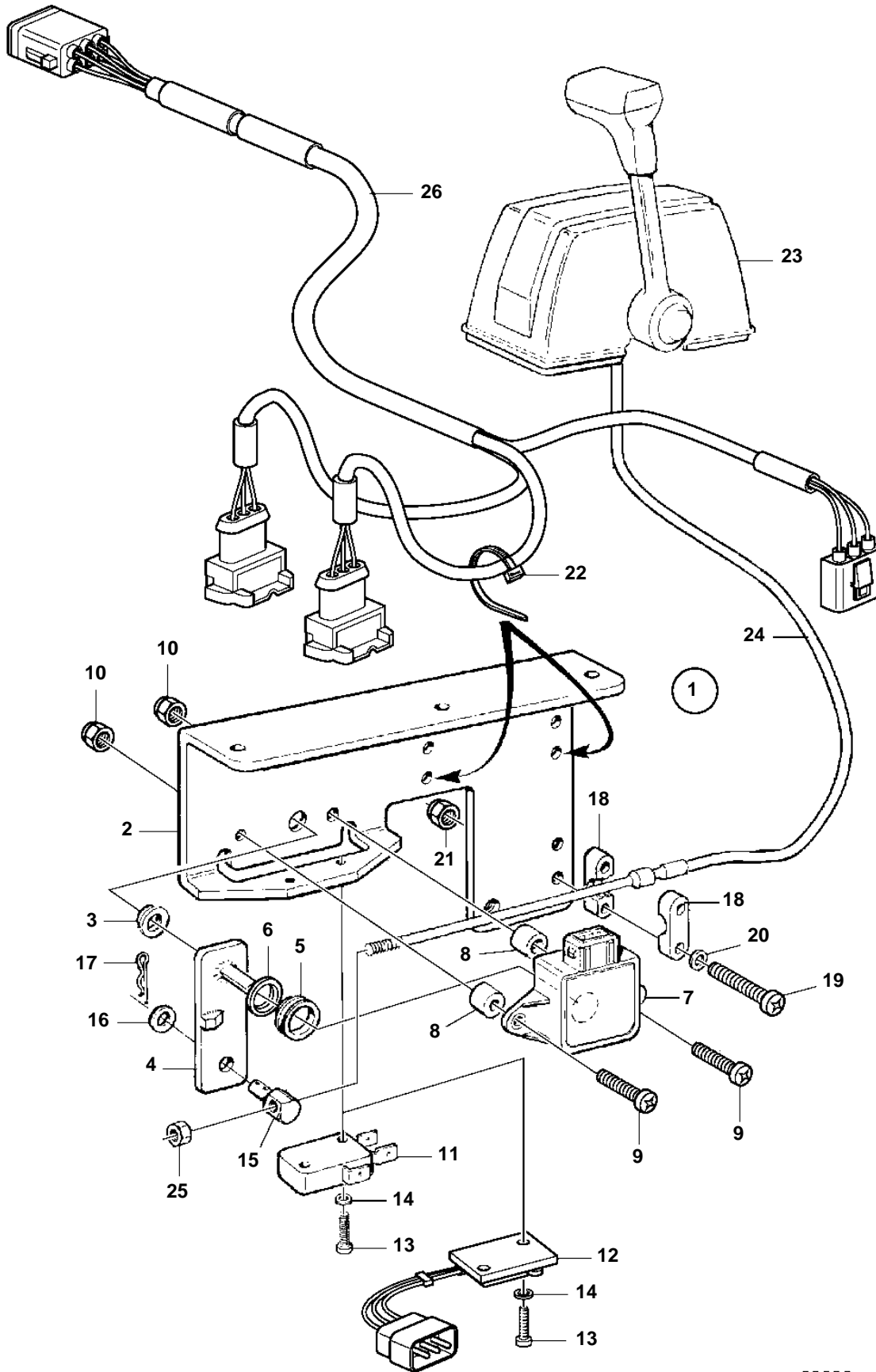


D9A2A D9-425, D9A2A D9-500 (R4), D9A2A D9-575, D9A2B 425, D9A2B D9-500 (R5), D9A2B D9-575, D9A2A D9A-MH, D9A2B MH



D9A2A D9-425, D9A2A D9-500 (R4), D9A2A D9-575, D9A2B 425, D9A2B D9-500 (R5), D9A2B D9-575, D9A2A D9A-MH, D9A2B MH

| REF | PART NO. | QTY | DESCRIPTION | SEE SEC. | NOTES |
|-----|----------|-----|------------------------|----------|------------|
| 1 | 3842182 | 1 | Adapter | | |
| 2 | | 1 | • Bracket | | |
| 3 | 3829680 | 1 | • Bushing | | |
| 4 | 3825366 | 1 | • Intermediate lever | | |
| 5 | 943342 | 1 | • Sealing ring | | |
| 6 | 3829681 | 1 | • Washer | | |
| 7 | 1336385 | 1 | • Potentiometer | | |
| 8 | 3825525 | 2 | • Spacer sleeve | | |
| 9 | 969518 | 2 | • 6 point socket screw | | L=25mm |
| 10 | 963103 | 2 | • Lock nut | | |
| 11 | 850200 | 1 | • Toggle switch | | EARLY TYPE |
| 12 | 3842171 | 1 | • Microswitch | | LATE TYPE |
| 13 | 956049 | 2 | • Cross recessed screw | | |
| 14 | 955890 | 2 | • Washer | | |
| 15 | 814082 | 1 | • Cube | | |
| 16 | 955892 | 1 | • Washer | | |
| 17 | 664822 | 1 | • Split pin | | |
| 18 | 850361 | 2 | • Cable attachment | | |
| 19 | 956081 | 2 | • Cross recessed screw | | |
| 20 | 940090 | 2 | • Washer | | |
| 21 | 949874 | 2 | • Flange lock nut | | |
| 22 | 948211 | 2 | • Cable tie | | |
| 23 | | 1 | Control | | |
| 24 | | 1 | Control cable | 231 | |
| 25 | | 1 | • Nut | | |
| 26 | 874676 | 1 | Cable kit | 7512 | |