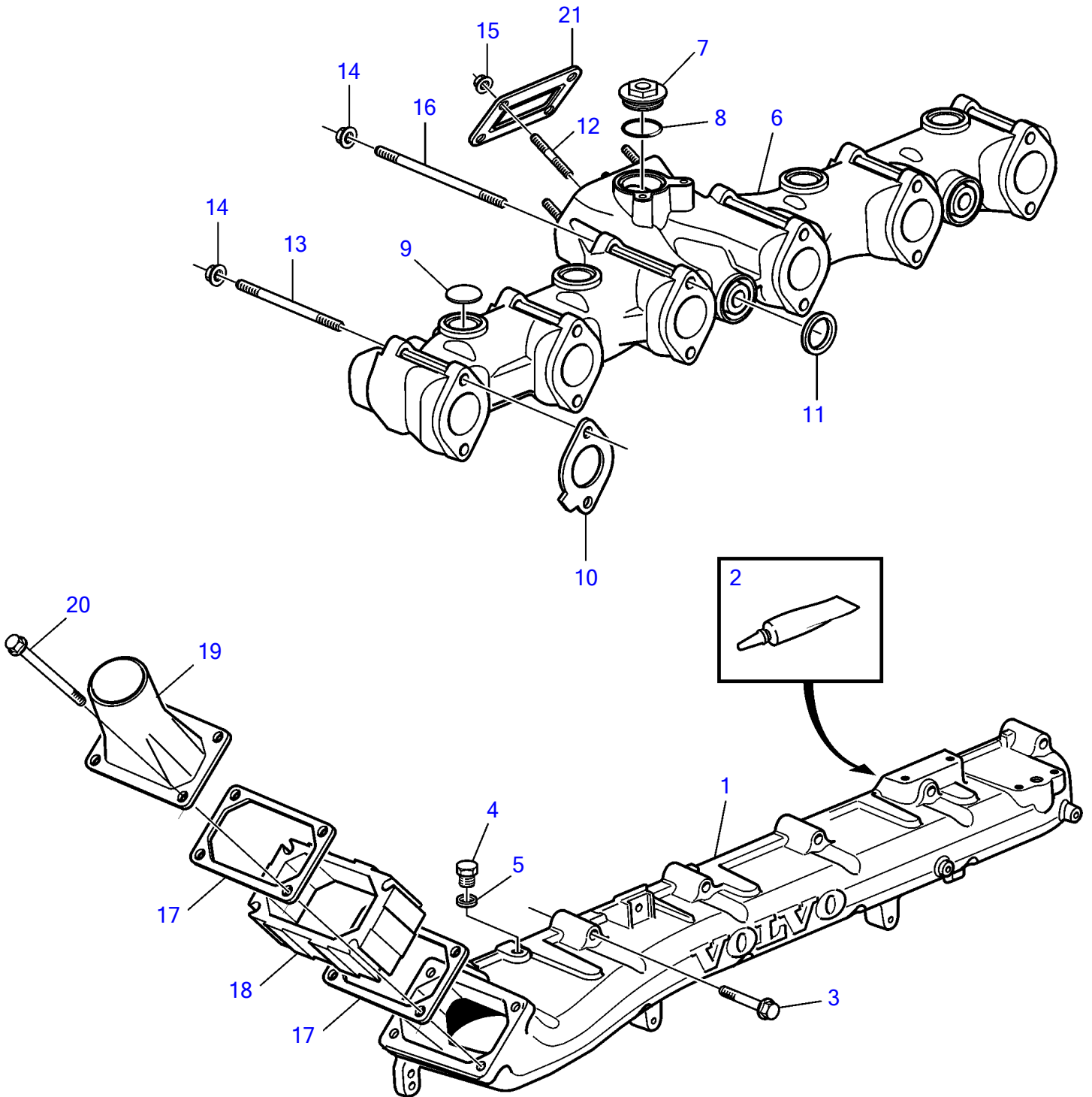


D9A2A D9A-MG



21771

## D9A2A D9A-MG

REF	PART NO.	QTY	DESCRIPTION	NOTES
1	3161342	1	Inlet pipe	
2	1161231	X	Sealant	304ml
	1161277	X	Sealant	20g
3	965180	12	Flange screw	
4	960628	1	Plug	
5	947281	1	Gasket	
6	3838255	1	Exhaust manifold	
7	3807018	1	• Plug	
8	469328	1	• Gasket	
9	968955	13	• Expansion plug	
10	8148172	6	Gasket	
11	469982	2	Sealing ring	
12	20579303	4	Stud	(977299)
13	953007	8	Stud	
14	971095	12	Flange nut	
15	471622	4	Flange lock nut	
16	948932	4	Stud	
17	477314	2	Gasket	
18	1676806	1	Spacer	
19	3839462	1	Charge air pipe	
20	965184	4	Flange screw	
21	20781146	1	Gasket	(8194365)