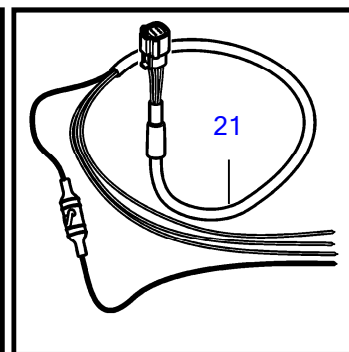
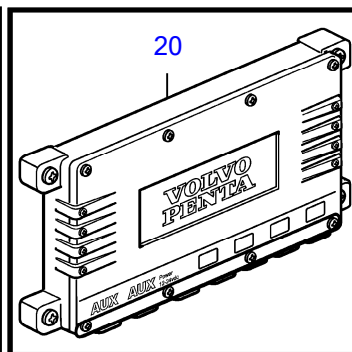
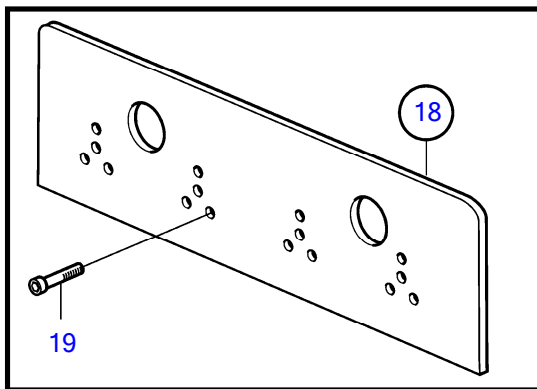
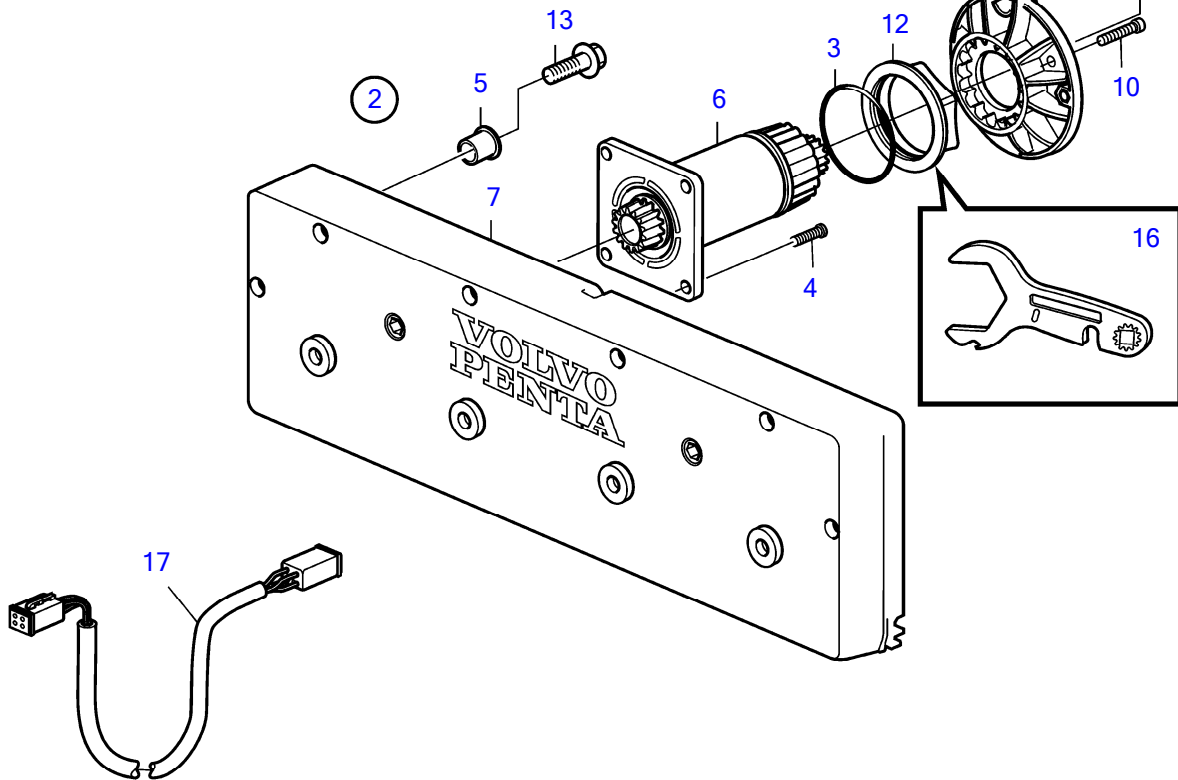
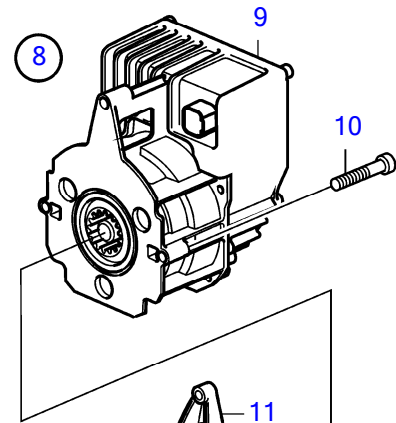
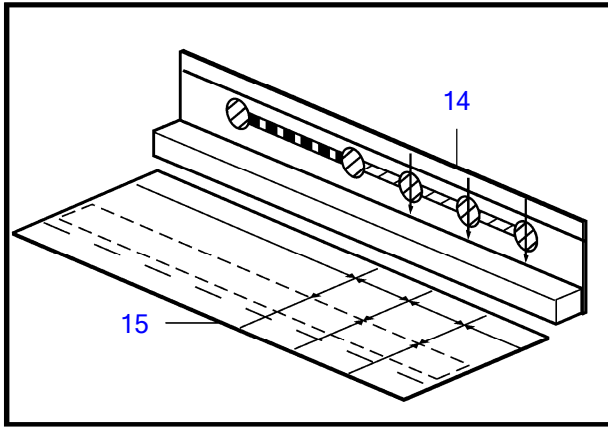


D8A1-A MP, D8A2-A MP, D8A3-A MP, D8A4-A MP

1



D8A1-A MP, D8A2-A MP, D8A3-A MP, D8A4-A MP

REF	PART NO.	QTY	DESCRIPTION	SEE SEC.	NOTES
1	(22856096)	1	Is kit		Obsolete part
2	22856103	2	• Trimming plate		
3	22088469	1	• • O-ring		
4	21955937	4	• • Six point socket scr		
5	22173239	2	• • Sealing plug		
6		1	• • Shaft		
7		1	• • Trimming plate		
8	21948237	2	• Kit		
9	(21875630)	1	• • Servo unit		Obsolete part
10	996733	3	• • Hex. socket screw		Replaced by 997677
	997677	3	• • Hex. socket screw		
11	21888972	2	• Drive plate, Servo Flange		
12	22399349	2	• Flange nut		
13	21890471	6	• Six point socket scr		
14	22856111	1	• Drill template		
15	22856113	1	• Support		
16	21888526	1	• Wrench, Wrench		
17	21875632	2	• Wiring harness		
18	22944155	2	Mounting plate kit		
19	996642	4	• Hex. socket screw		
20	22894802	1	lcm gyro	41612	
21	21888965	1	• Power cable		