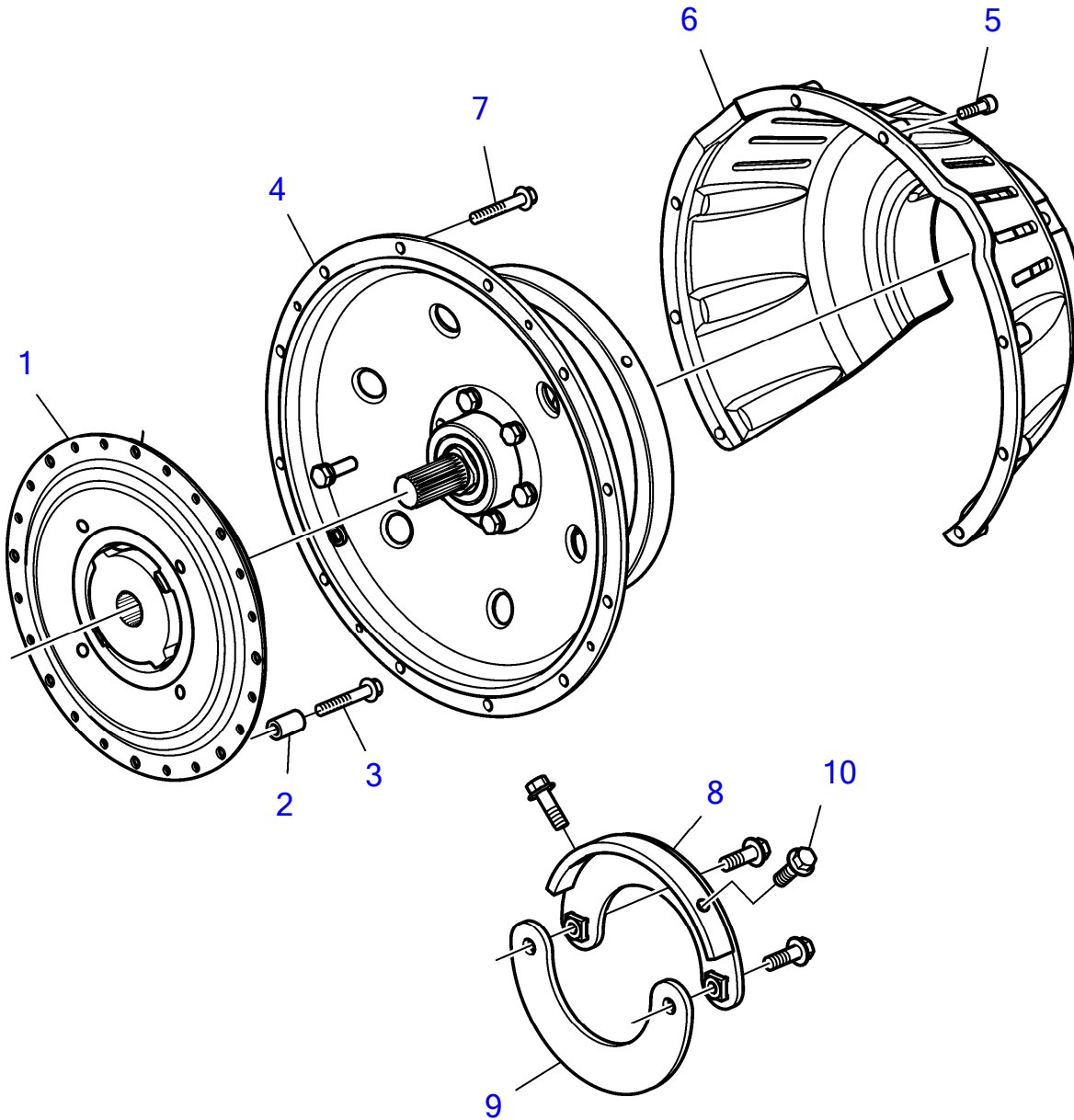


D8A2-A MP, D8A4-A MP



28929

D8A2-A MP, D8A4-A MP

| REF | PART NO. | QTY | DESCRIPTION       |
|-----|----------|-----|-------------------|
| 1   | 22865880 | 1   | Flexible coupling |
| 2   | 995056   | 8   | Spacer sleeve     |
| 3   | 984757   | 8   | Flange screw      |
| 4   | 22865882 | 1   | Cover             |
| 5   | 959239   | 4   | Hex. socket screw |
| 6   | 22862183 | 1   | Protecting casing |
| 7   | 984757   | 8   | Flange screw      |
| 8   | 3594012  | 1   | Safety catch      |
| 9   | 3817572  | 1   | Plate             |
| 10  | 984752   | 4   | Flange screw      |