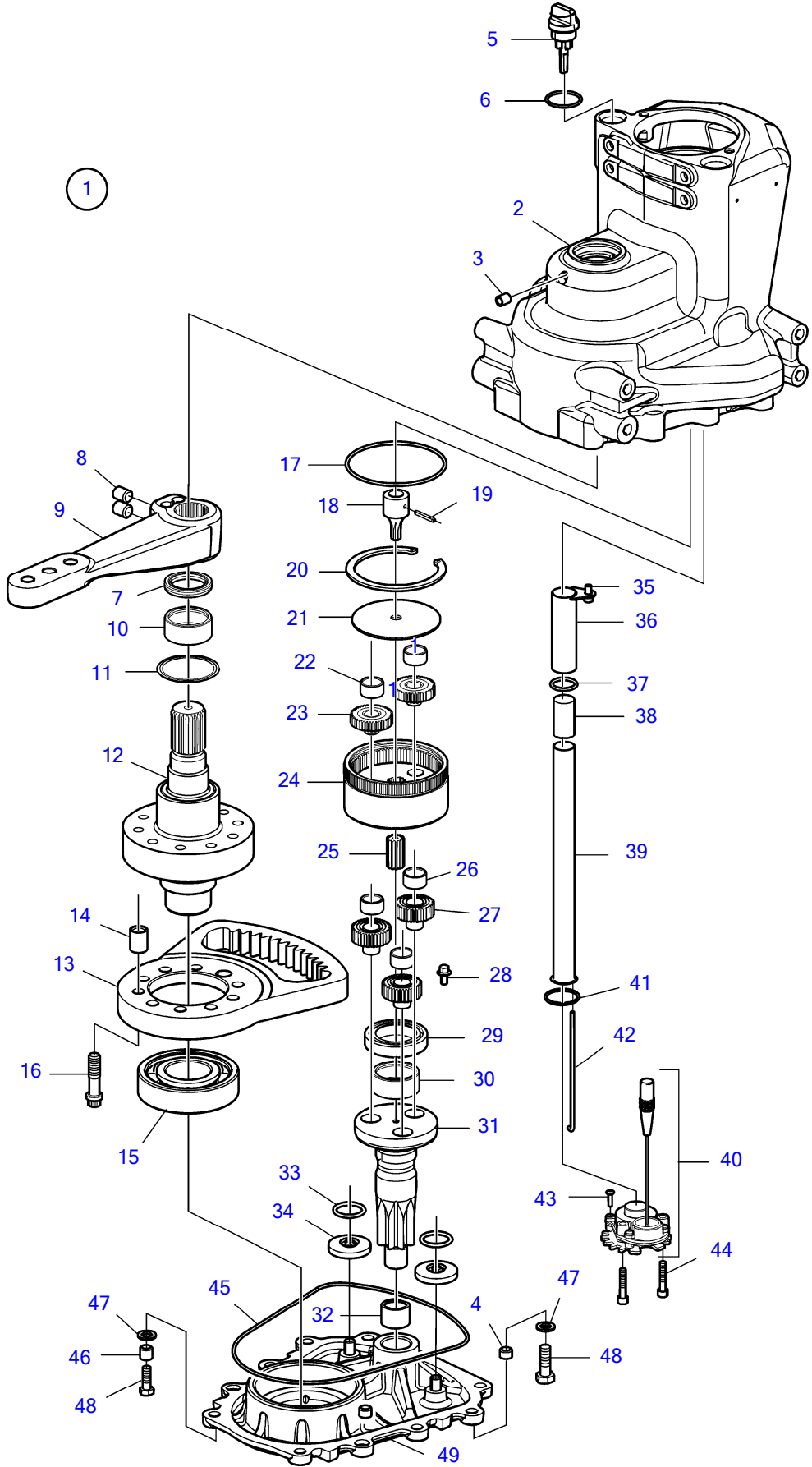


D8A1-A MP, D8A2-A MP, D8A3-A MP, D8A4-A MP



29780

D8A1-A MP, D8A2-A MP, D8A3-A MP, D8A4-A MP

REF	PART NO.	QTY	DESCRIPTION	NOTES
1			El. rudder actuator	
			Steering gear	
	22630336		• Steering gear	
2		1	• • Gear housing	
3	(16325)	1	• • • Plug	Obsolete part
4	(956021)	8	• • • Thread insert	Obsolete part
5	22803031	1	• • Oil dipstick	
6	949656	1	• • O-ring	
7	22789432	1	• • Lip seal	
8			• •	
9	22630332	1	• • Steering rod	Replaced by 23216934
	23216934	1	• • Steering rod	Replaced by 23370777
	23370777	1	• • Steering arm	
10	184078	2	• • Needle roller bearin	
11	22484527	1	• • Spacer washer	
12		1	• • Steering axle	
13	21914715	1	• • Gear segment	
14	3862569	1	• • Guide sleeve	
15	(11027)	2	• • Ball bearing	Obsolete part
16	3860364	10	• • Screw	
17	925258	1	• • O-ring	
18	21914717	1	• • Sun gear	
19	949796	1	• • Spring pin	
20	945486	1	• • Snap ring	
21	3588127	1	• • Spacer plate	
22	183365	2	• • Needle roller assemb	
23	21914719	2	• • Planet gear	
24	21914725	1	• • Ring gear	
25	21914721	1	• • Sun gear	
26	181269	3	• • Needle roller assemb	
27	21914723	3	• • Planet gear	
28	994442	1	• • Flange screw	
29	184864	1	• • Ball bearing	
30	184078	1	• • Needle roller bearin	
31		1	• • Steering axle	
32	184093	1	• • Needle roller bushin	
33	945719	2	• • Retainer	
34	8171169	2	• • Magnet	
35	3587842	1	• • Tube	
36	984723	1	• • Flange screw	
37	949657	1	• • O-ring	
38	21161942	1	• • Gasket	
39	3862558	1	• • Tube	
40	21593166	1	• • Sensor	
41	979254	1	• • • O-ring	
42	8142983	1	• • • Heat-shrinkable tubi	
43	969515	4	• • • Six point socket scr	
44	959207	2	• • Hex. socket screw	
45	60112724	1	• • O-ring	
46	417588	2	• • Guide sleeve	
47	942551	10	• • Washer	
48	984914	10	• • Hexagon screw	
49		1	• • Cover	