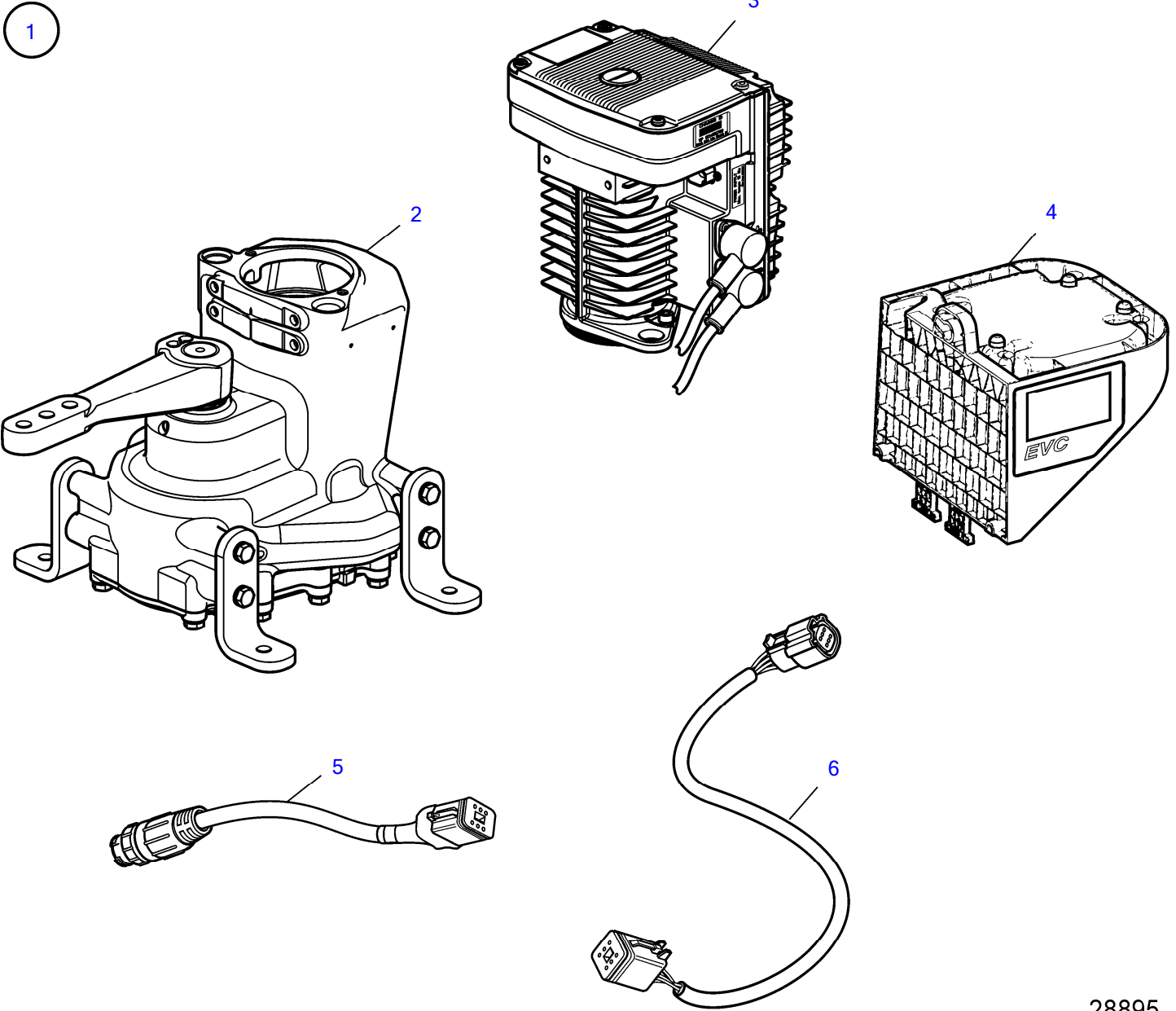


D8A1-A MP, D8A2-A MP, D8A3-A MP, D8A4-A MP



28895

D8A1-A MP, D8A2-A MP, D8A3-A MP, D8A4-A MP

REF	PART NO.	DESCRIPTION	SEE SEC.	NOTES
1		El. inboard steering, With single Actuator		Electrical Inboard Steering
		El. inboard steering, With twin Actuator		Electrical Inboard Steering
2	22630336	• Steering gear	41591	El. rudder actuator
3	22796035	• Servo unit, SUS1	41592	Servo Unit for Joystick Driving, Replaced by 21846852
	21846852	• Servo unit, SUS1	41592	Servo Unit for Joystick Driving
	3801475	• Servo unit, exch		
4	22685460	• Control unit, Stand Alone HCU	41534	HCU Stand Alone
5	22673876	• Cable	41657	STCM-Sleipner Adapter
6	22669984	• Cable	41657	STCM-SUS1 Y-Cable