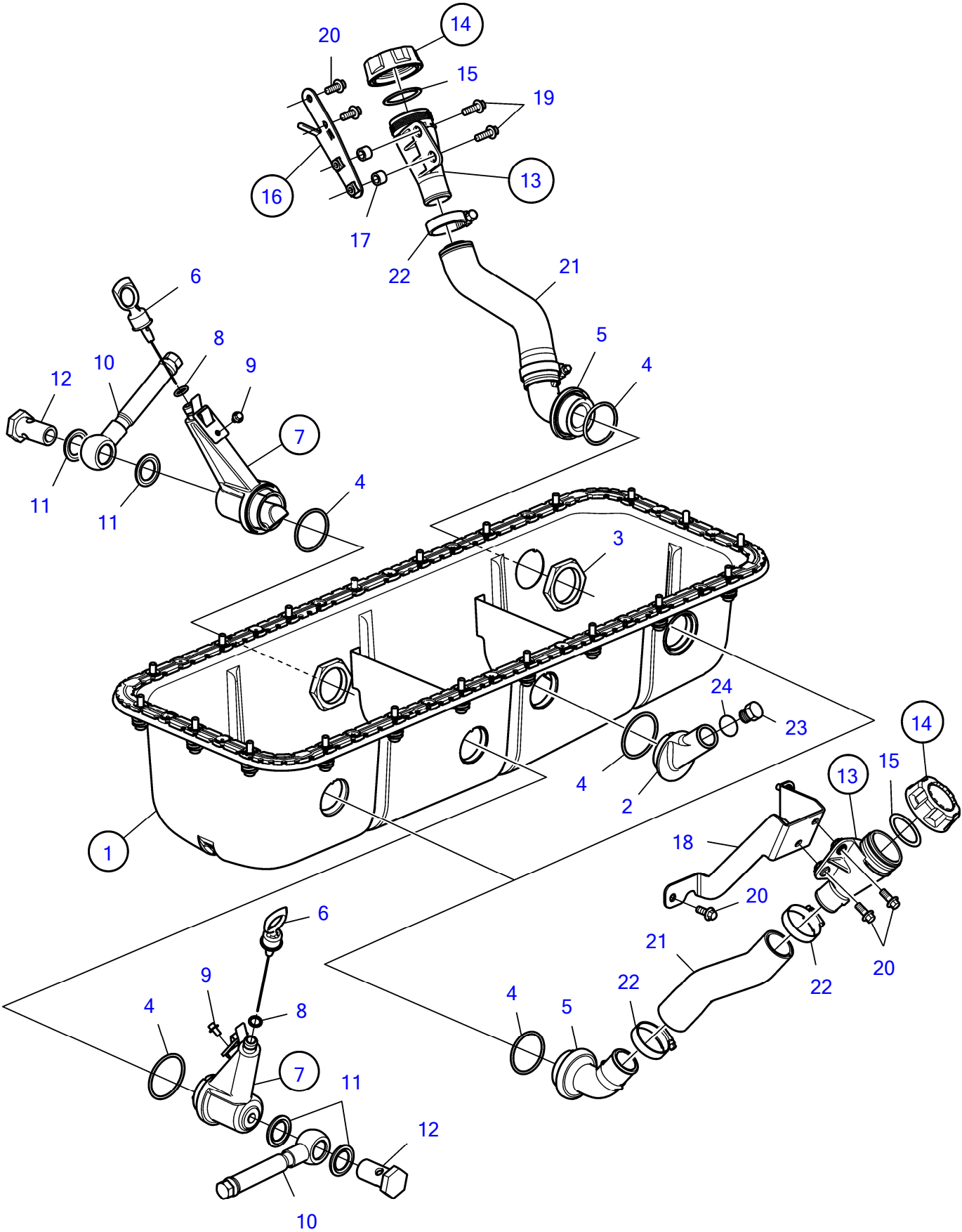


D8A2-A MP, D8A4-A MP



D8A2-A MP, D8A4-A MP

REF	PART NO.	QTY	DESCRIPTION	NOTES
1	22828303	1	Oil pan	Replaced by 23219270
	23219270	1	Oil pan	
2	22312413	1	• Cover	
3	20405288	5	• Hexagon nut	
4	976043	5	• O-ring	
5	22286796	3	• Retainer	
6	21624516	2	• Oil dipstick	
7	22286819	2	• Cover	
8	944124	1	• • O-ring	
9	969418	1	• • Six point socket scr	
10	21156901	2	Oil pipe	
11	982723	4	Gasket	
12	25167	2	Hollow screw	
13	20808091	2	Oil filler pipe	
14	20807510	2	• Oil filler cap	
15	20365079	2	• • Rubber washer	
16	21846163	1	Bracket	
17	820917	2	• Spacer sleeve	
18	22668232	1	Bracket	
19	984735	2	Flange screw	
20	984734	6	Flange screw	
21	22410445	2	Hose	
22	994562	4	Hose clamp	
23	981280	1	Plug	
24	18813	1	Gasket	