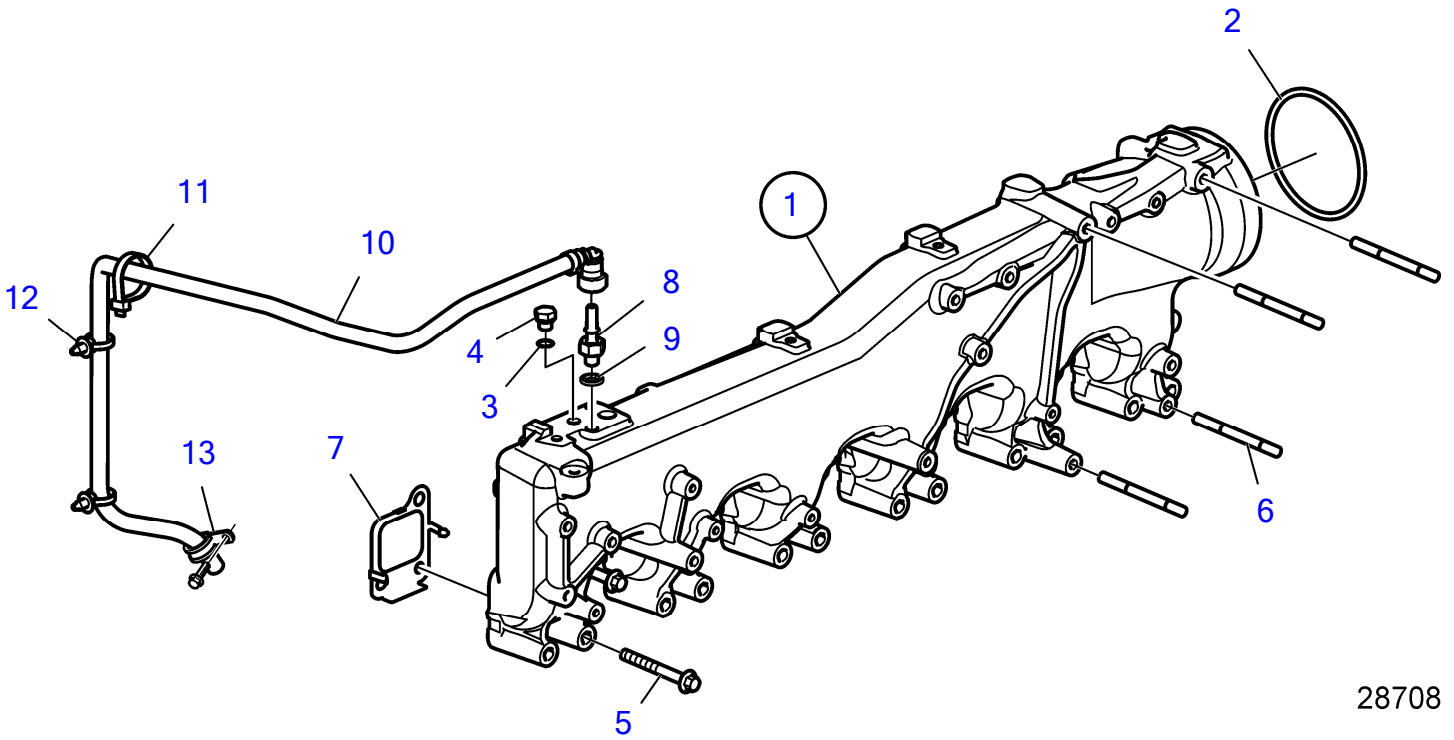


D8A1-A MP, D8A2-A MP, D8A3-A MP, D8A4-A MP



28708

D8A1-A MP, D8A2-A MP, D8A3-A MP, D8A4-A MP

REF	PART NO.	QTY	DESCRIPTION	NOTES
1	22888387	1	Inlet manifold	Replaced by 22557314
	22557314	1	Inlet manifold	Replaced by 22925632
	22925632		Inlet manifold	
2	60110416	1	• O-ring	
3	947281	1	Gasket	
4	960628	1	Plug	
5	996457	18	Flange screw	
6	130082	4	Stud	
7	21698165	6	Gasket	
8	21720235	1	Fuel nipple	
9	20869257	1	• Gasket	
10	22425371		Fuel hose	
11	980464	2	Cable tie	
12	980881	2	Cable tie	
13	975269	1	Hose clamp	