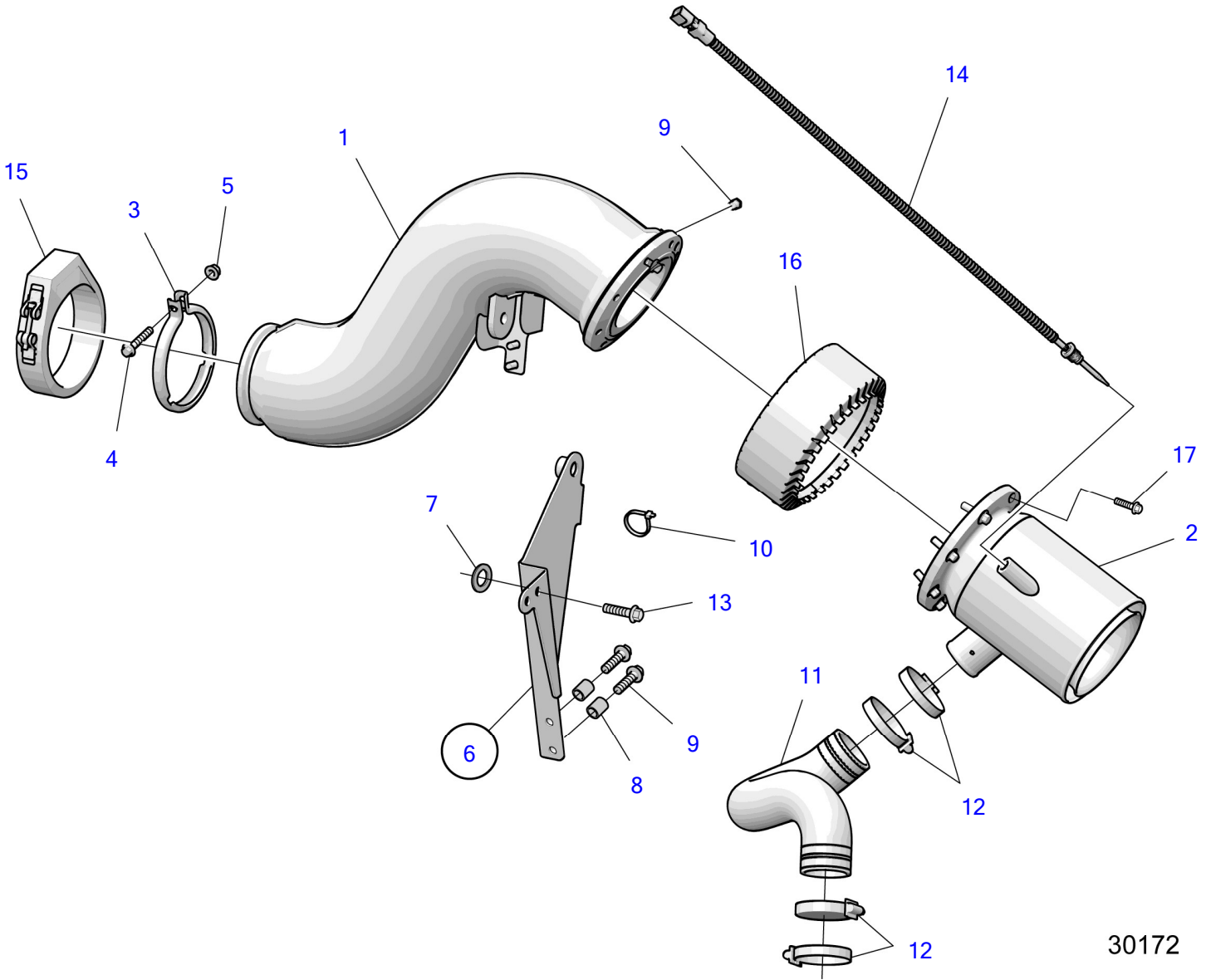


D8A1-A MP, D8A2-A MP



30172

D8A1-A MP, D8A2-A MP

REF	PART NO.	QTY	DESCRIPTION	NOTES
1	22710597	1	Exhaust riser	
	22954906	1	Exhaust riser, high rise	
2	22842926	1	Exhaust pipe	
3	21211715	1	V-clamp	
4	994441	1	Flange screw	
5	990950	1	Flange lock nut	
6	22704001	1	Stay	Replaced by 23103840
	23103840	1	Stay	
7	994849	1	• Washer	
8	973528	2	• Spacer sleeve	
9	984755	3	Flange screw	
10	948211	1	Cable tie	
11	23030368	1	Hose	
	22954627	1	Hose, high rise	Replaced by 23184966
	23184966	1	Hose	
12	961672	4	Hose clamp	
13	984735	1	Flange screw	
14	21164414	1	Temperature sensor	
15	22966387	1	Heat insulation	
16	23183473	1	Heat insulation	
17	984736	8	Flange screw	