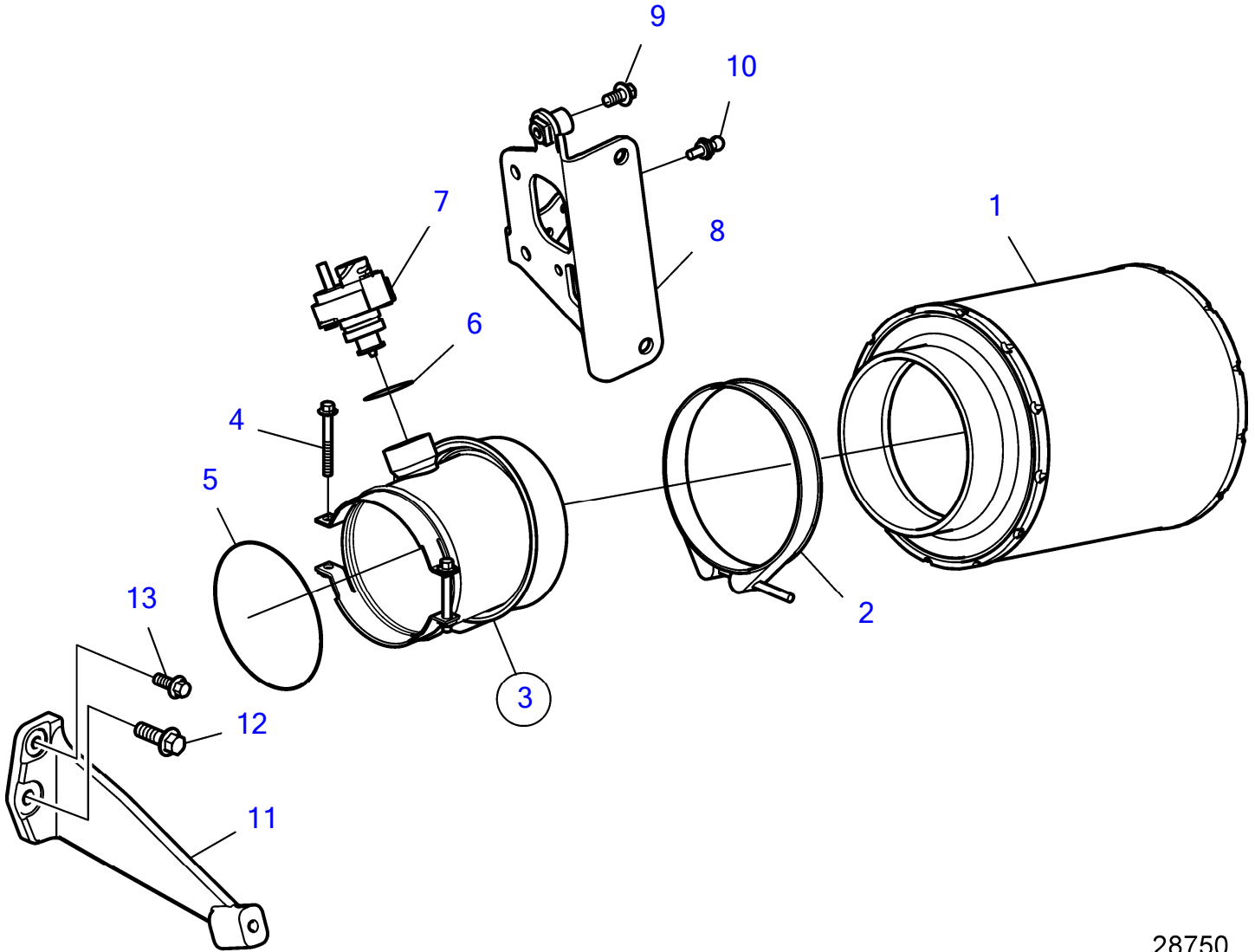


D8A1-A MP, D8A3-A MP



28750

D8A1-A MP, D8A3-A MP

REF	PART NO.	QTY	DESCRIPTION	NOTES
1	21496510	1	Air filter	
2	1544735	1	Hose clamp	
3	22626914	1	Adapter	
4	984730	2	• Flange screw	
5	925261	1	O-ring	
6	975664	1	O-ring	
7	20565673	1	Vacuum switch	Replaced by 22996282
	22996282	1	Vacuum switch	Replaced by 23307415
	23307415	1	Vacuum switch	
8	22901638	1	Bracket	
9	984733	2	Flange screw	
10	82462856	1	Ball joint	
11	22549463	1	Bracket	
12	969445	1	Flange screw	
13	984734	1	Flange screw	