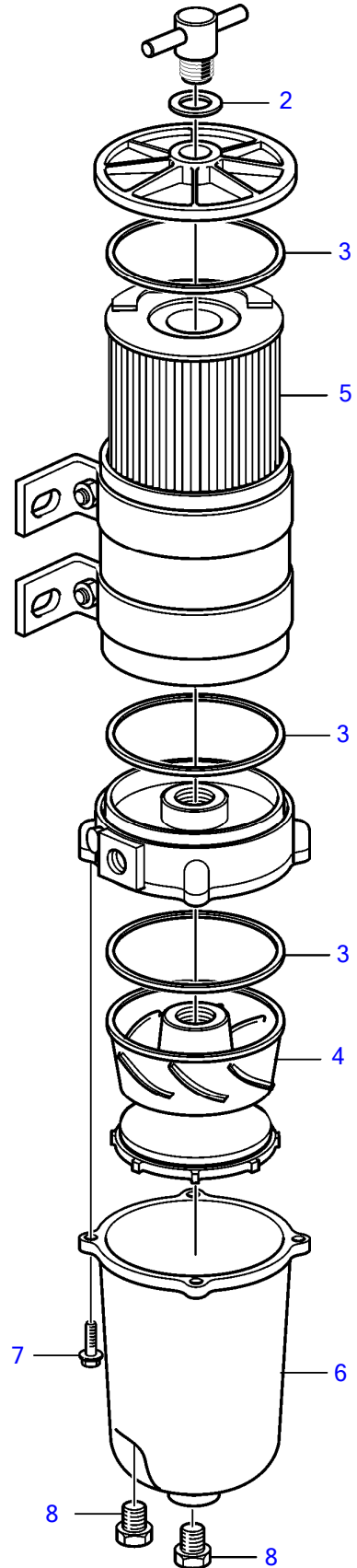
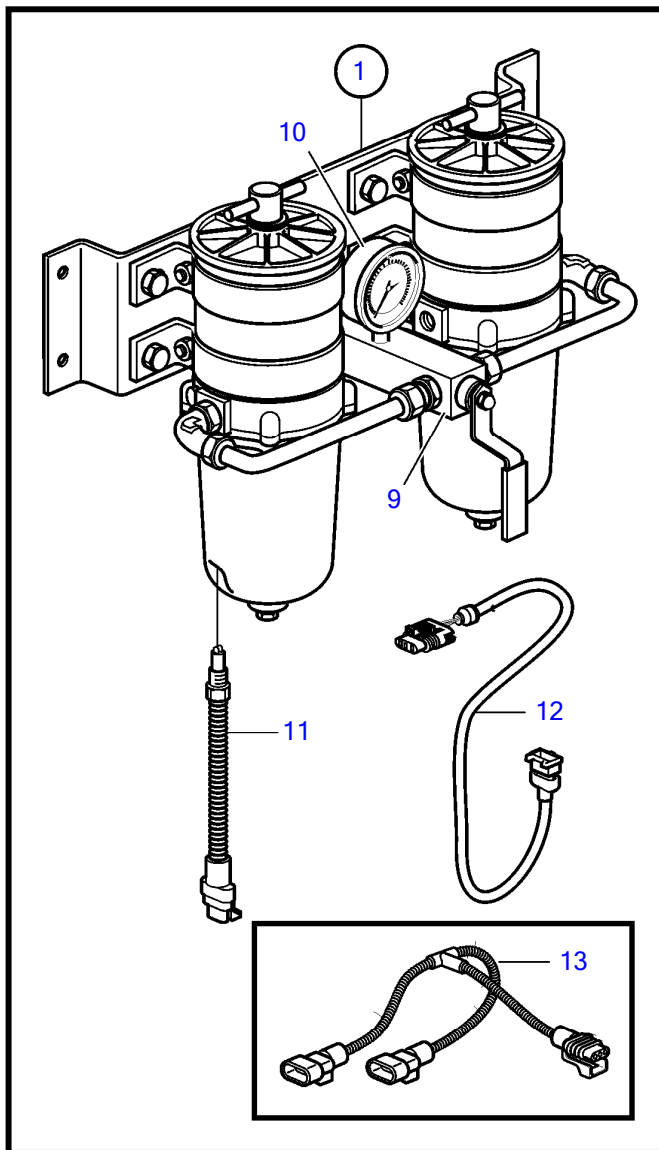


D8A1-A MP, D8A2-A MP, D8A3-A MP, D8A4-A MP



D8A1-A MP, D8A2-A MP, D8A3-A MP, D8A4-A MP

| REF | PART NO. | QTY | DESCRIPTION | NOTES |
|-----|----------|-----|----------------------|-------|
| 1 | 877770 | 1 | Fuel filter | |
| 2 | 838505 | 2 | • O-ring | |
| 3 | 846719 | 6 | • Gasket | |
| 4 | | 2 | • Turbine | |
| 5 | 3838852 | 2 | • Fuel filter insert | |
| 6 | 3838851 | 2 | • Bowl | |
| 7 | 940094 | 8 | • Hexagon screw | |
| 8 | 952075 | 4 | • Plug | |
| 9 | 3827300 | 1 | • Block | |
| 10 | 3827299 | 1 | • Manometer | |
| 11 | 3885070 | 2 | Sensor | |
| 12 | 21415883 | 1 | Extension cable | L=3m |
| | 21415866 | 1 | Extension cable | L=5m |
| 13 | 21495971 | 1 | Wiring harness | |