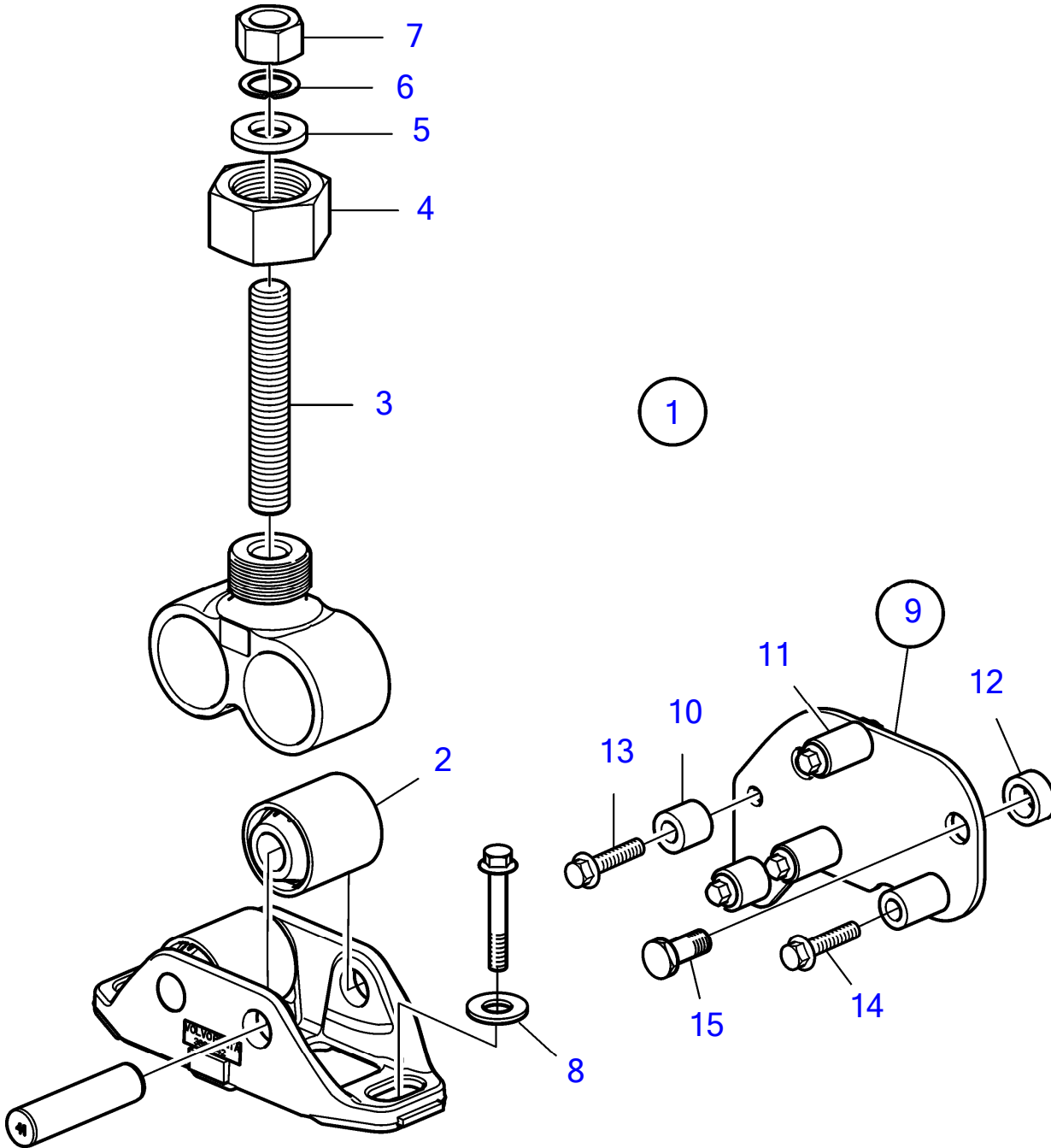


D8A1-A MP, D8A3-A MP



28892

D8A1-A MP, D8A3-A MP

REF	PART NO.	QTY	DESCRIPTION
1	3840982	2	Rubber cushion kit
2	3819047	2	• Cushion
3	3817323	1	• Adjusting screw
4	3840980	1	• Nut
5	991994	1	• Washer
6	990697	1	• Lock washer
7	990973	1	• Hexagon nut
8	960145	2	• Washer
9	22372613	1	Bracket
10	855773	2	• Spacer sleeve
11	979138	3	• Spacer sleeve
12	865074	2	• Spacer sleeve
13	984738	2	Flange screw
14	984739	3	Flange screw
15	984834	2	Flange screw