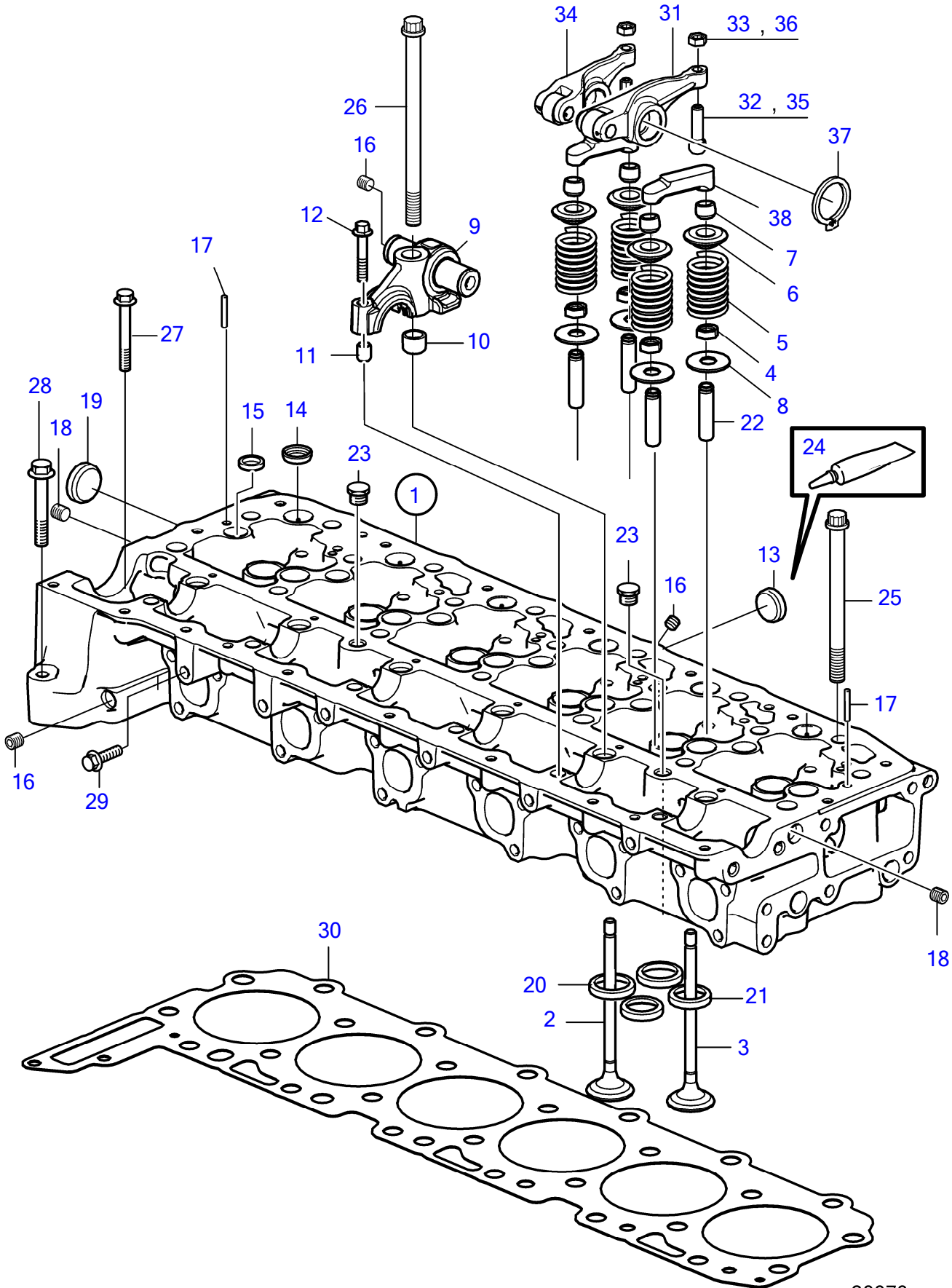


D8A1-A MP, D8A2-A MP, D8A3-A MP, D8A4-A MP



D8A1-A MP, D8A2-A MP, D8A3-A MP, D8A4-A MP

REF	PART NO.	QTY	DESCRIPTION	NOTES
1	3801740	1	Cylinder head, exch	
	22939590	1	Cylinder head	
2	21614038	12	• Inlet valve	Replaced by 23038919
	23038919	12	• Inlet valve	
3	21528644	12	• Exhaust valve	
4	23125033	24	• Valve seal	
5	21757071	24	• Valve spring	
6	21791547	24	• Valve spring washer	
7	21231846	48	• Valve cotter	
8	21791550	24	• Valve spring washer	
9	22041175	6	• Bearing cap	
10	993796	6	• Spacer	
11	20512324	6	• Pin	
12	975200	6	• Flange screw	
13	24426721	6	• Expansion plug	
14	993944	12	• Cap plug	
15	993943	6	• Cap plug	
16	996102	14	• Plug	
17	950550	2	• Pin	
18	968063	2	• Plug	
19	993945	1	• Cap plug	
20	21528662	12	• Valve seat	Inlet
21	21528665	12	• Valve seat	Exhaust
22	22103846	24	• Valve guide	
23	945065	2	• Plug	
24	85145751	1	• Locking fluid	
25	993799	20	Flange screw	
26	993802	6	Flange screw	
27	975192	1	Flange screw	
28	984757	1	Flange screw	
29	984752	3	Flange screw	
30	22722746	1	Cylinder head gasket	
31	22428454	6	Rocker arm	Exhaust
32	21719447	12	• Adjusting screw	
33	60111964	12	• Hexagon nut	
34	22428452	6	Rocker arm	Inlet
35	21719447	12	• Adjusting screw	
36	60111964	12	• Hexagon nut	
37	914459	12	Snap ring	
38	22472575	12	Valve bridge	