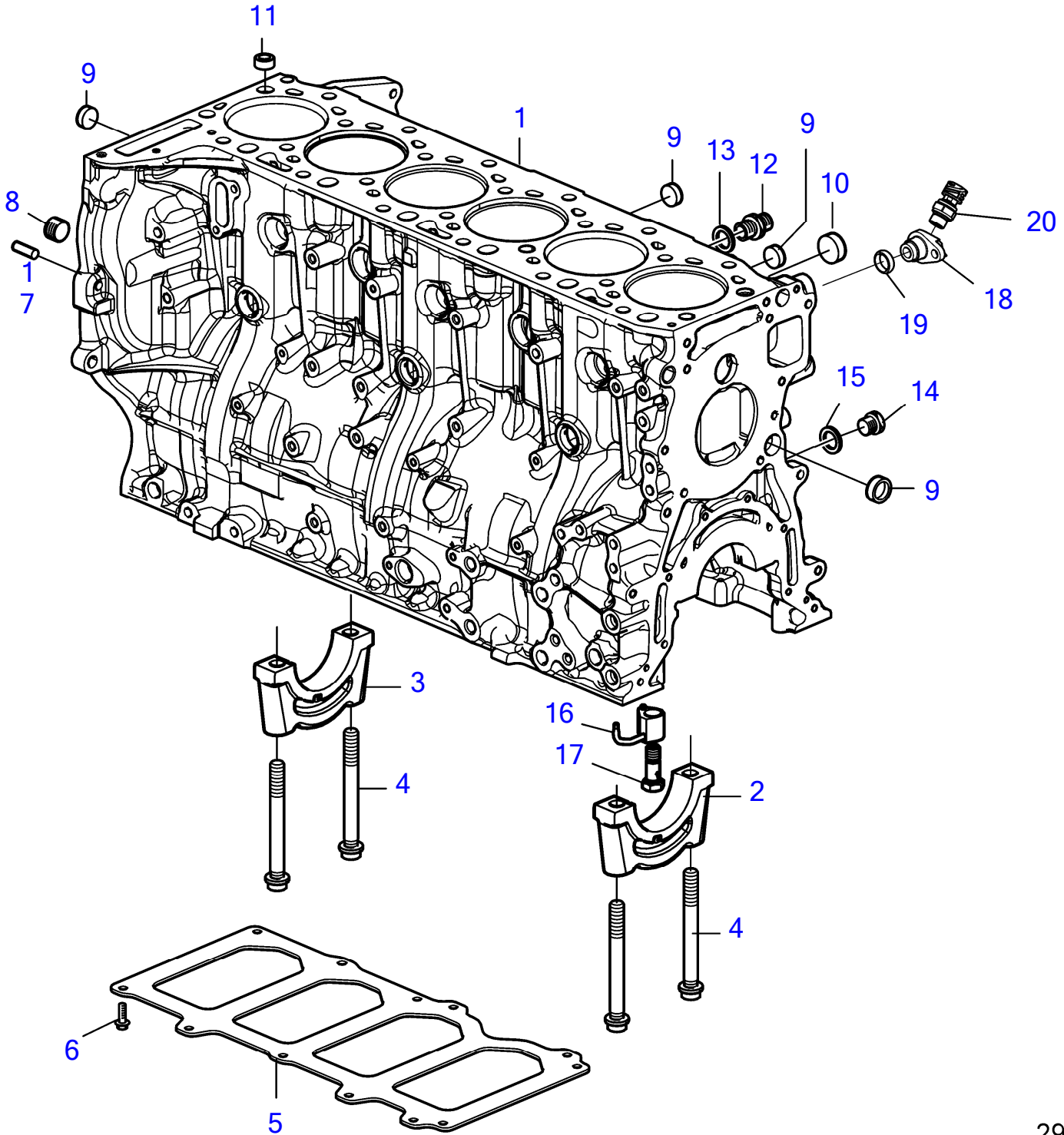


D8A1-A MP, D8A2-A MP, D8A3-A MP, D8A4-A MP



29315

D8A1-A MP, D8A2-A MP, D8A3-A MP, D8A4-A MP

| REF | PART NO.   | QTY | DESCRIPTION          | NOTES         |
|-----|------------|-----|----------------------|---------------|
| 1   | 22625489   | 1   | Cylinder block       |               |
| 2   | (21481907) | 6   | • Main bearing       | Obsolete part |
| 3   | (21481909) | 1   | • Main bearing       | Obsolete part |
| 4   | 21288776   | 14  | • Flange screw       |               |
| 5   | 22483084   | 1   | • Frame              |               |
| 6   | 984733     | 12  | • Flange screw       |               |
| 7   | 950588     | 2   | • Pin                |               |
| 8   | 20593252   | 1   | • Plastic plug       |               |
| 9   | 993944     | 3   | • Cap plug           |               |
| 10  | 993945     | 11  | • Cap plug           |               |
| 11  | 993796     | 2   | • Spacer             |               |
| 12  | 1676622    | 1   | • Nipple             |               |
| 13  | 979099     | 1   | • Gasket             |               |
| 14  | 960632     | 1   | • Plug               |               |
| 15  | 11998      | 1   | Gasket               |               |
| 16  | 22137368   | 6   | Piston cooling jet   |               |
| 17  | 22872287   | 6   | Piston cooling valve |               |
| 18  | 22795642   | 1   | Flange               |               |
| 19  | 21940615   | 1   | Sealing ring         |               |
| 20  | 22052384   | 1   | Pressure sensor      |               |