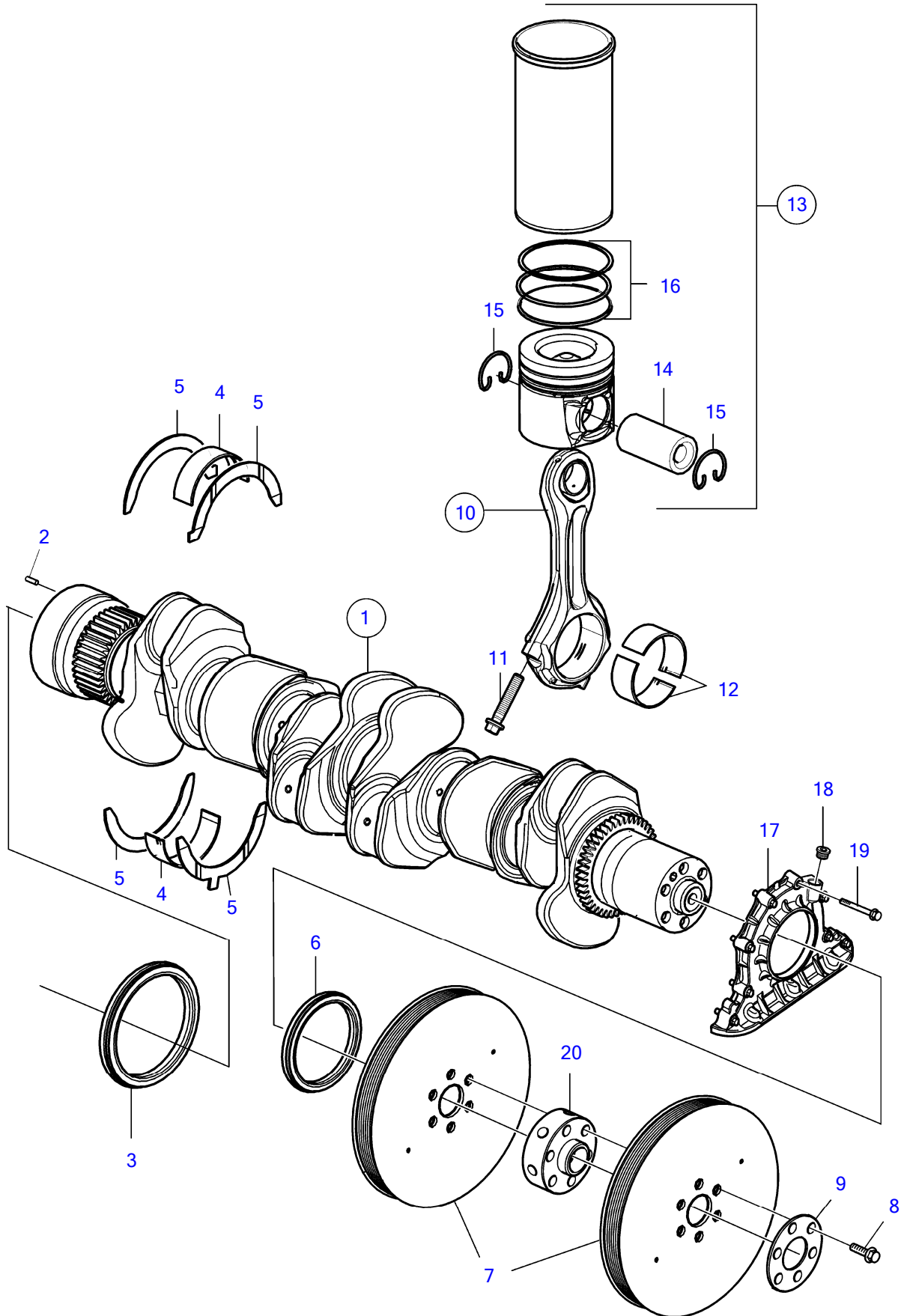


D8A1-A MP, D8A2-A MP, D8A3-A MP, D8A4-A MP



D8A1-A MP, D8A2-A MP, D8A3-A MP, D8A4-A MP

REF	PART NO.	QTY	DESCRIPTION	SEE SEC.	NOTES
1	22840297	1	Crankshaft		
	22937567	1	Crankshaft		
2	950545	1	• Pin		
3	21877169	1	Crankshaft seal		Replaced by 22731072
	22731072	1	Crankshaft seal		
			• Bulletin p-21-6-108	p-21-6-108-EN	New Casette Seals
4	22627432	6	Main bearing kit		
5	22720414	6	Thrust washer kit		
6	22332119	1	Crankshaft seal		Replaced by 22731065
	22731065	1	Crankshaft seal		
			• Bulletin p-21-6-108	p-21-6-108-EN	New Casette Seals
7	21534912	2	Vibration damper		
8	990813	6	Flange screw		
9	22945718	1	Plate		
10	21537993	6	Connecting rod		Replaced by 22571627
	22571627	6	Connecting rod		
11	21544941	2	• Flange screw		
12	22720415	6	Bearing kit, big end bearing kit		
13	23228685	1	Cylinder liner kit		Tolerance Class "0", Only 2 Cylinder Liner can be changed, See Service Bulletin 21-3-121
	23228687	1	Cylinder liner kit		Tolerance Class "1", Only 2 Cylinder Liner can be changed, See Service Bulletin 21-3-121
14	22960905	1	• Piston pin		
15	21230282	2	• Snap ring		
16	22720412	1	• Piston ring kit		
17	22561414	1	Cover		
18	981280	1	Plug		
19	984738	8	Flange screw		
20	21670569	1	Adapter		

47705750-21-41096

29347

Upd:4/18/2019

D8A1-A MP, D8A2-A MP, D8A3-A MP, D8A4-A MP

VOLVO
PENTA