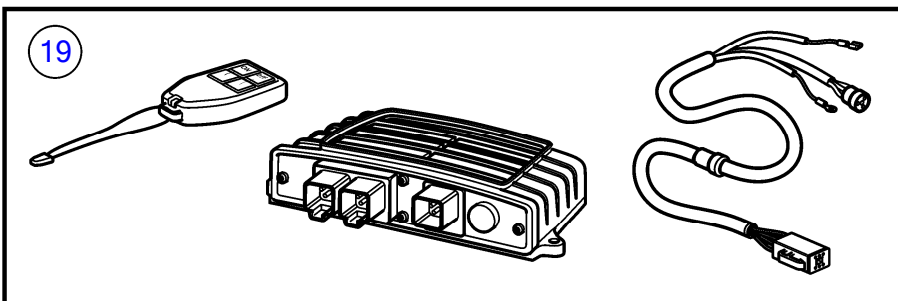
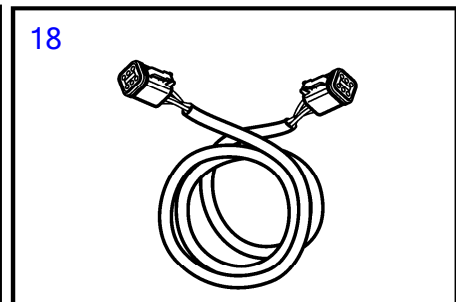
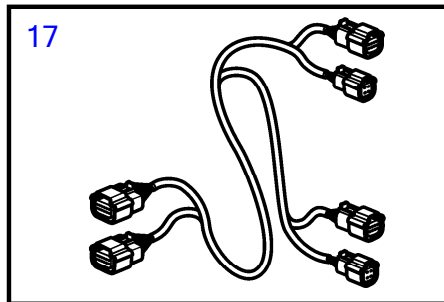
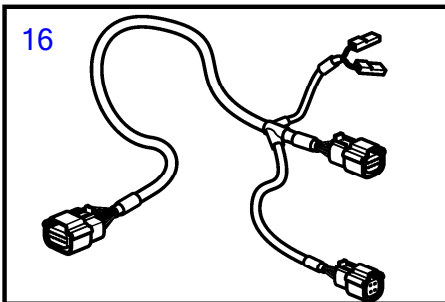
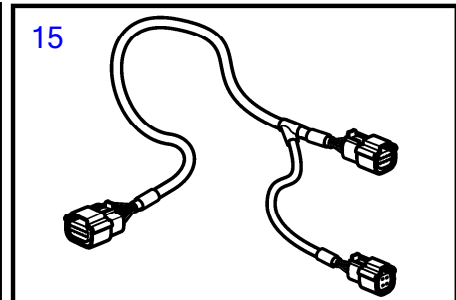
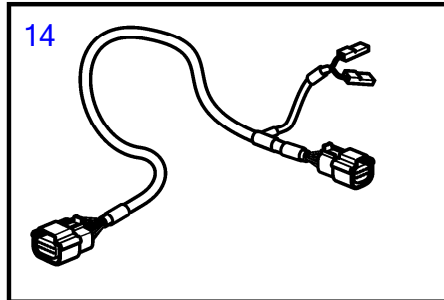
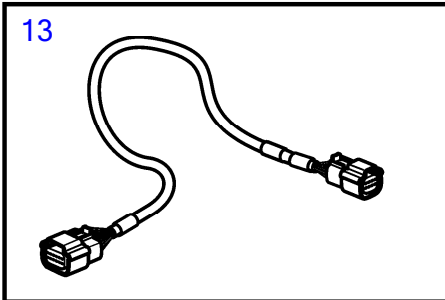
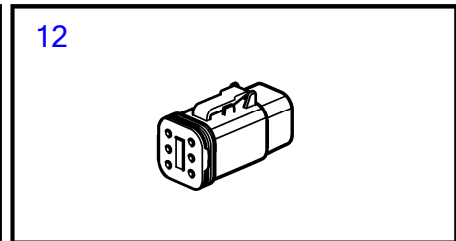
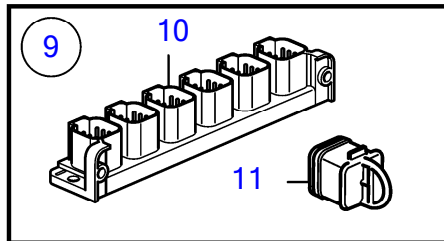
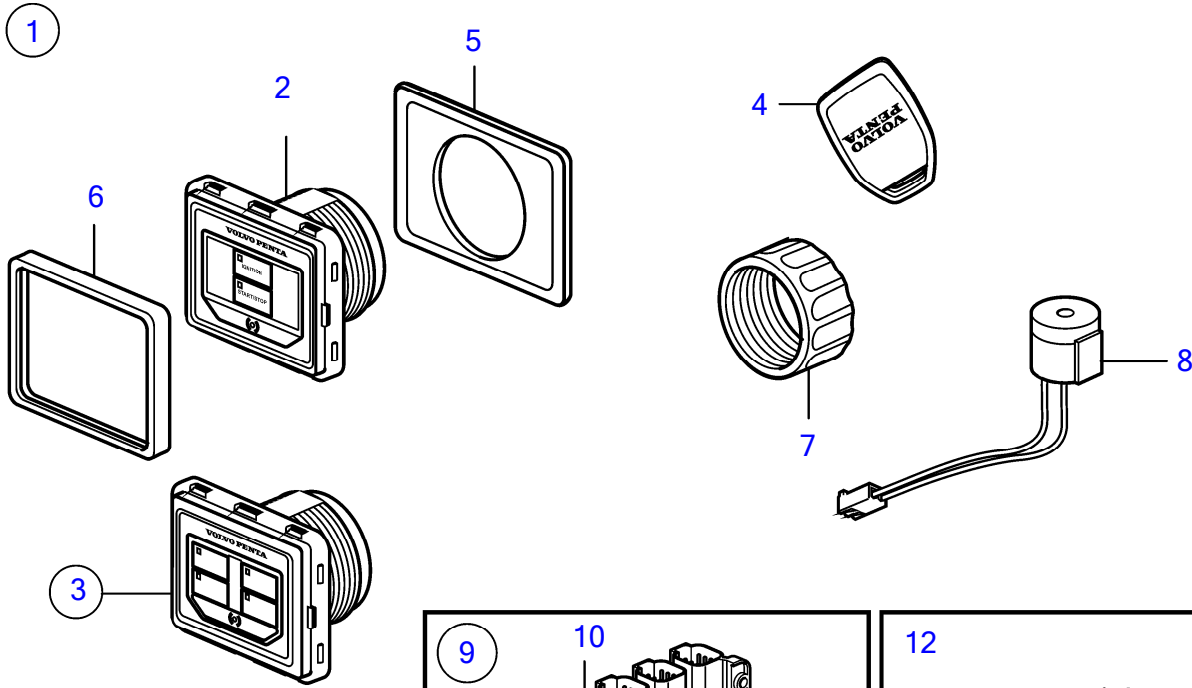


D8A1-A MP, D8A2-A MP, D8A3-A MP, D8A4-A MP



28840

D8A1-A MP, D8A2-A MP, D8A3-A MP, D8A4-A MP

REF	PART NO.	QTY	DESCRIPTION	SEE SEC.	NOTES
1	22499599	1	Panel, Single Installation		
	22499602	1	Panel, Twin Installation		
2			• Panel, instrument panel single installation		Single panel
3			• Panel, instrument panel twin installation		Twin panel
4	21758351	2	• Key		
5	21758360	1	• Gasket		
6	21467057	1	• Frame		
7	3808134	1	• Nut		
8	21358227	1	• Buzzer		
9	21469055	1	Connection block		
10		1	• Hub		
11	3840433	1	• Sealing plug		
12	21825714	1	Terminal		
13	21693204	1	Cable		e-Key single harness
14	21693202	1	Cable		e-Key single harness with Lanyard
15	21693208	1	Cable		e-Key twin harness
16	21693206	1	Cable		e-Key twin harness with Lanyard
17	21876876	1	Cable		e-Key quad harness
18	3886666	1	Cable		Multilink, L=1.5m
19	22780709	1	Radio frequency	41550	Battery Management
	22780721	1	Radio frequency, (Japan)		Only for the Japanese market