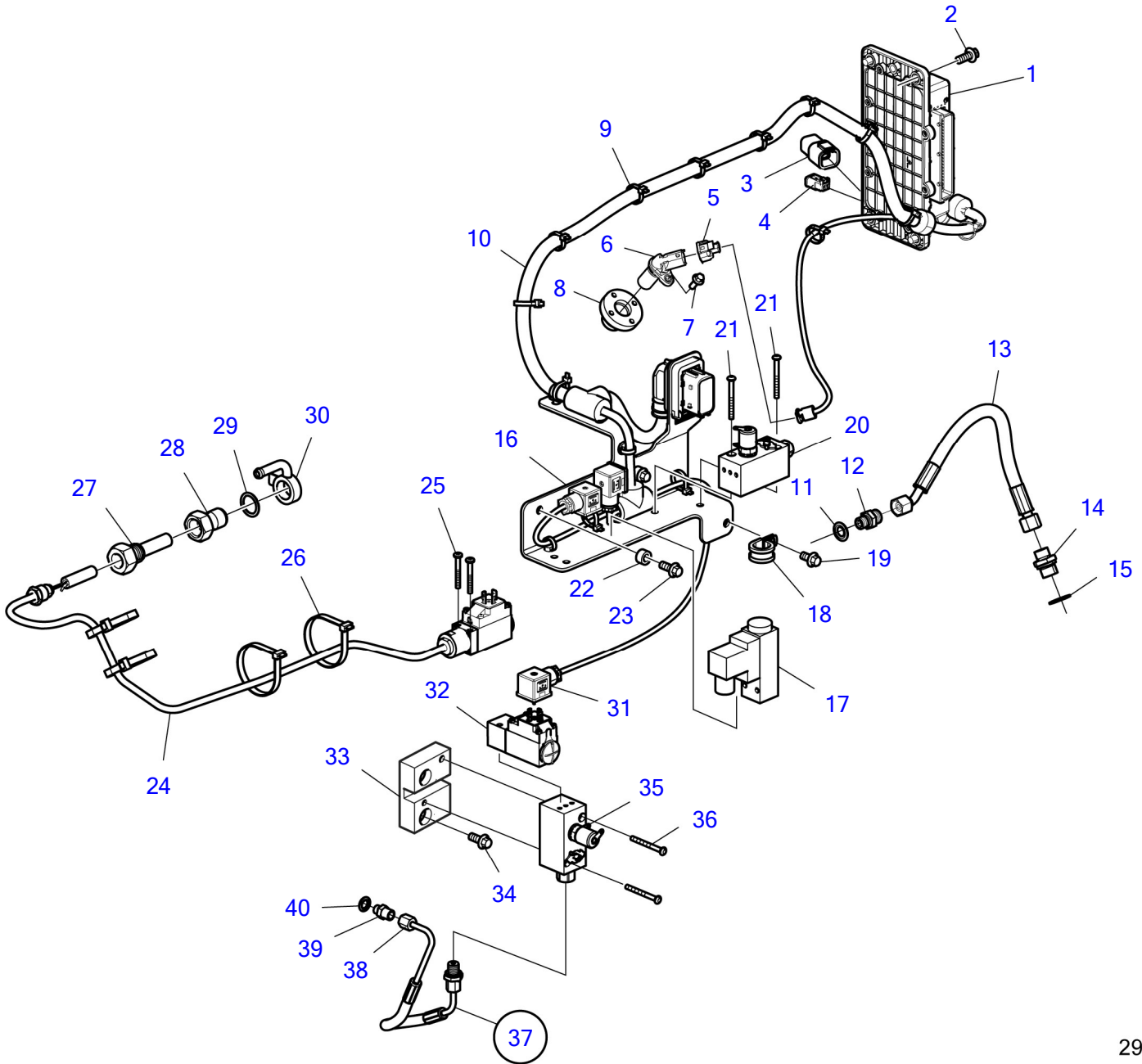


D8A3-A MP, D8A4-A MP



29973

## D8A3-A MP, D8A4-A MP

REF	PART NO.	QTY	DESCRIPTION	NOTES
1	22642634	1	Power train control	
	3586266	X	Software	Vodia-programming. This p/n can not be ordered, but will be used for invoicing.
	3586267	X	Software	Warehouse programming. This p/n can not be ordered, but will be used for invoicing.
2	984734	10	Flange screw	
3		1		
4		1	Housing	
5	874368	1	Receptacle housing	
6	21426987	1	Speed sensor	
7	984725	1	Flange screw	
8	22929229	1	Adapter	
9	948211	13	Cable tie	
10	22284921	1	Wiring harness	
11	60111192	1	Gasket	
12	957030	1	Nipple	
13	22801287	1	Hose	
14	991057	1	Nipple	
15	20883435	1	Sealing ring	
16	23446133	1	Bracket	
17	889629	1	Pressure monitor, oil	Reverse Gear 5-30Bar
	21294587	1	Pressure monitor, oil	IPS 4Bar
18	1545432	1	Attaching clamp	
19	984733	1	Flange screw	
20	3831442	1	Block	
21	60111730	2	Six point socket scr	
22	946048	4	Spacer washer	
23	984734	4	Flange screw	
24	22425778	1	Thermo monitor	
25	60111728	2	Six point socket scr	
26	980464	4	Cable tie	
27	22825733	1	Sleeve	
28	22957249	1	Adapter	
29	18677	1	Gasket	
30	22957235	1	Adapter	
31		3		
32	21552234	1	Pressure monitor	
33	23485690	1	Bracket	
34	994383	2	Flange screw	
35	3831442	1	Block	
36	60111730	1	Six point socket scr	
37	22434471	1	Pressure pipe	
38	956981	2	• Fitting nut	
39	963947	1	• Nipple	
40	976927	1	• Gasket	