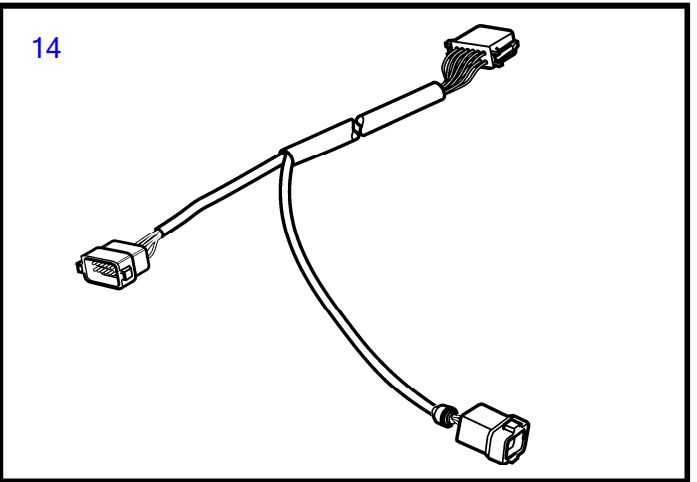
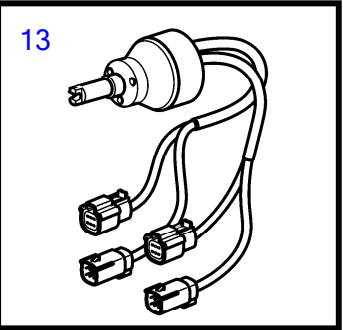
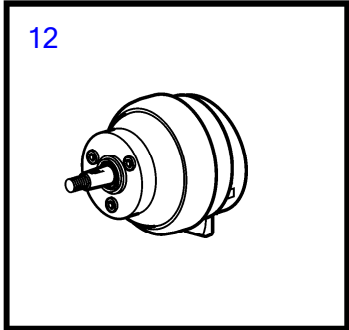
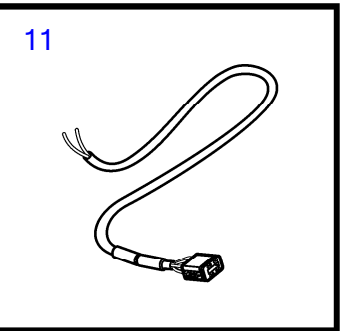
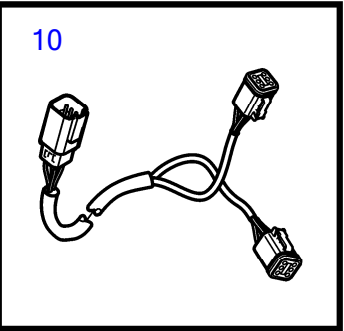
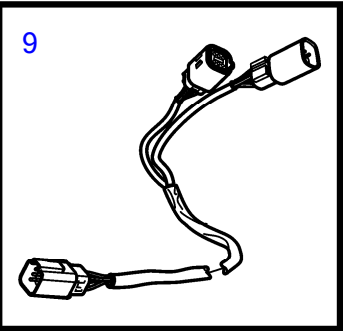
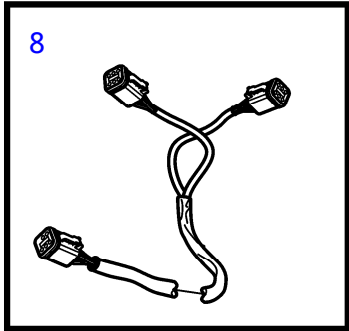
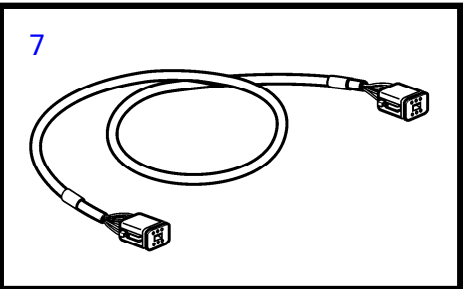
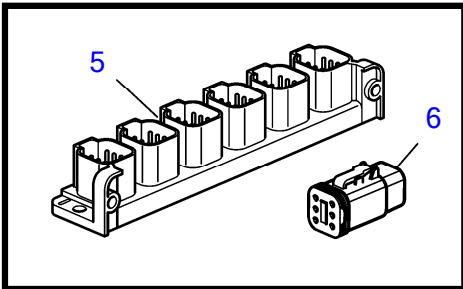
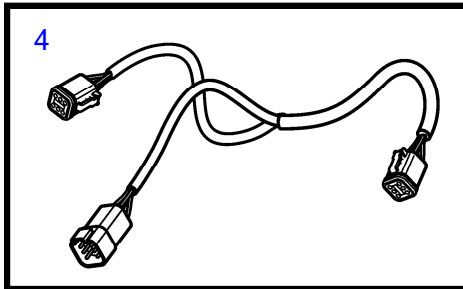
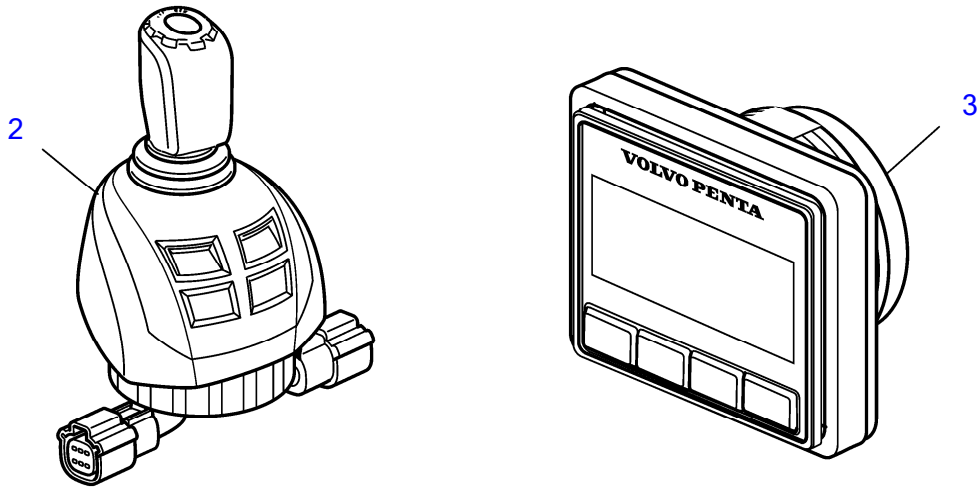


D8A1-A MP, D8A2-A MP, D8A3-A MP, D8A4-A MP

1



D8A1-A MP, D8A2-A MP, D8A3-A MP, D8A4-A MP

REF	PART NO.	QTY	DESCRIPTION	SEE SEC.	NOTES
1		1	Kit, Secondary Station, Triple Installation IPS		
2	22790933	1	Control knob, Joystick Delux IPS unit	41547	Obsolete part
	(22893918)	1	Control knob, Type Approved Joystick IPS	41754	Obsolete part
	22862204	1	• Control knob		
3	22499273	1	Display panel	41566	
4	3588972	3	Cable kit		
5	21469055	2	Connection block		
6	3840433	8	• Sealing plug		
7	3886666	4	Cable		
8	21287072	1	Wiring harness		
9	21421941	2	Cable		
10	21427460	1	Cable		
11	21450563	2	Cable		
12	22299003	1	Steering wheel adjus		
13	21469560	1	Steering wheel hub		Replaced by 22353839
	22353839	1	Steering wheel hub		
14	21421926	2	Cable		Use with 22862204
			• Bulletin P-97-9-109	P-97-9-109-EN	RETROFIT OF DYNAMIC POSITIONING SYSTEM