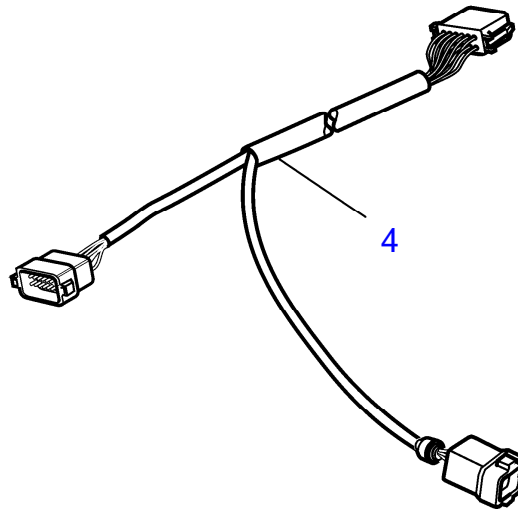
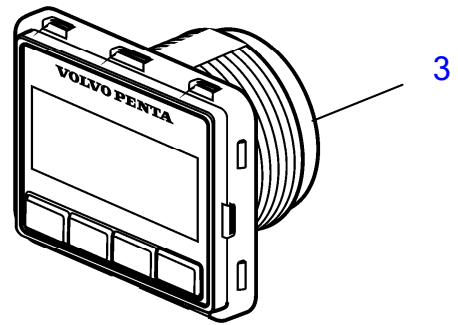
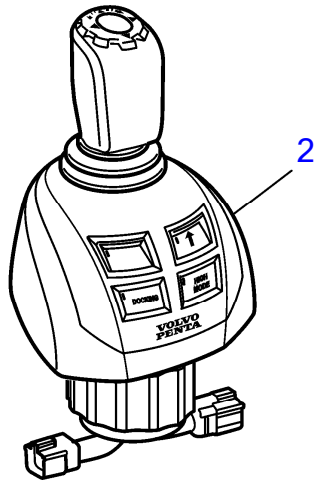


D8A1-A MP, D8A2-A MP, D8A3-A MP, D8A4-A MP

1



28868

D8A1-A MP, D8A2-A MP, D8A3-A MP, D8A4-A MP

REF	PART NO.	QTY	DESCRIPTION	SEE SEC.	NOTES
1	(22790942)	1	Control knob		Replaced by 22893898, Joystick Delux AQ, Obsolete part
		1	Control knob		Joystick Delux AQ
	22790933	1	Control knob		Replaced by 22893908, Joystick Delux IPS, unit
		1	Control knob		Joystick Delux IPS, unit
		1	Control knob		Replaced by 22893932, Joystick Delux Inboard, unit
		1	Control knob		Joystick Delux Inboard, unit
2	22498686	1	Control knob		Replaced by 22893899, Joystick Delux AQ
	22893899	1	Control knob		Joystick Delux AQ
	22498703	1	Control knob		Joystick Delux IPS, unit
			• Bulletin P-97-9-109	P-97-9-109-EN	RETROFIT OF DYNAMIC POSITIONING SYSTEM
2	22893909	1	Control knob		Joystick Delux IPS, unit
	22783418	1	Control knob		Replaced by 22893936, Joystick Delux Inboard, unit
	22893936	1	Control knob		Joystick Delux Inboard, unit
3	22499273	1	Display panel, 2,5" Display	41566	2,5" Flexidisplay Button Panel
4	21421926	2	Cable		EVC_CD ADAPTER D6F M6M
			• Bulletin P-97-9-109	P-97-9-109-EN	RETROFIT OF DYNAMIC POSITIONING SYSTEM

47705750-64-42864

28868

Upd:4/18/2019

D8A1-A MP, D8A2-A MP, D8A3-A MP, D8A4-A MP