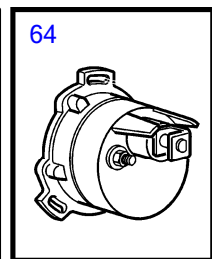
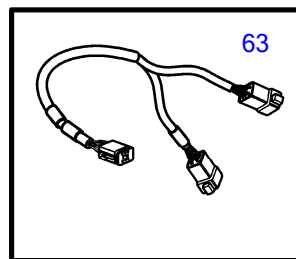
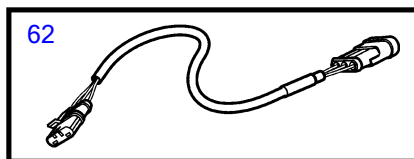
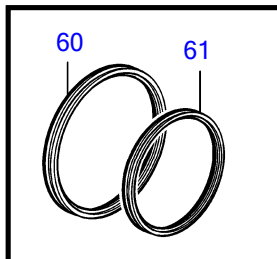
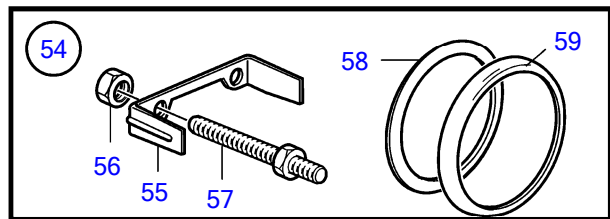
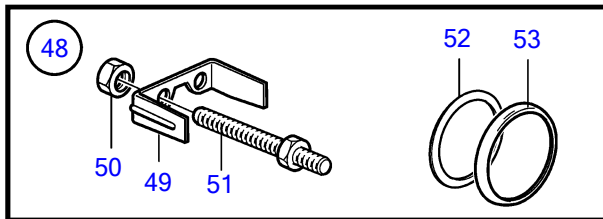
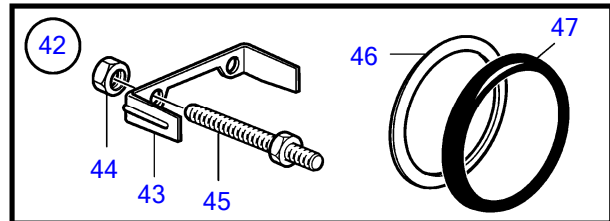
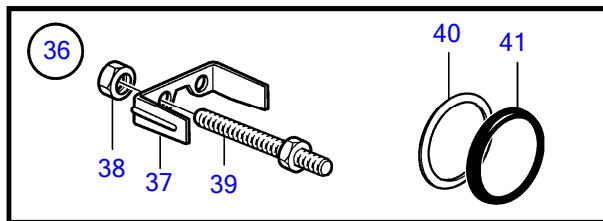
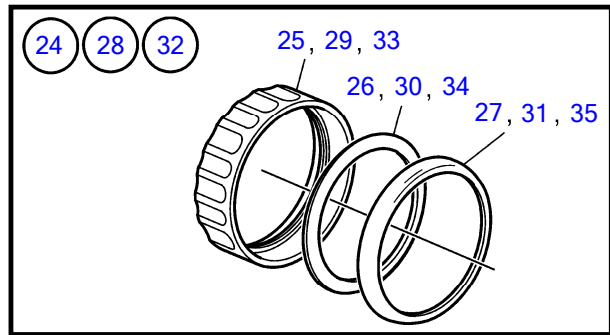
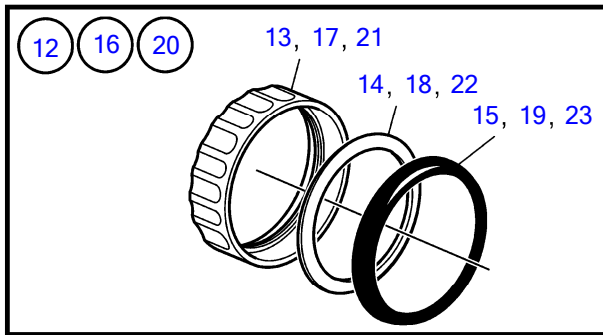
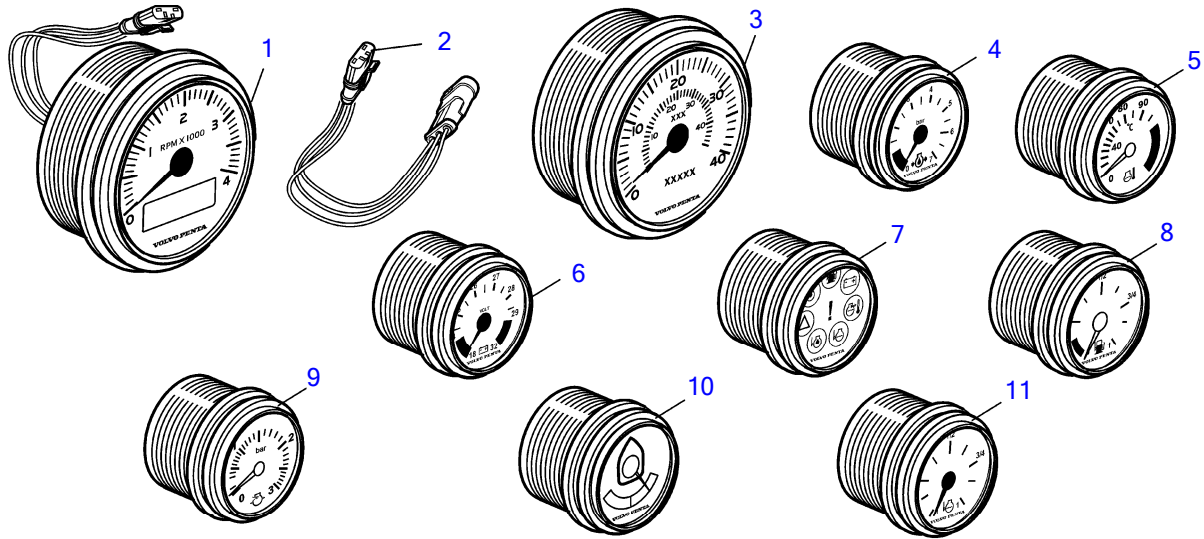


D8A1-A MP, D8A2-A MP, D8A3-A MP, D8A4-A MP



## D8A1-A MP, D8A2-A MP, D8A3-A MP, D8A4-A MP

REF	PART NO.	QTY	DESCRIPTION	SEE SEC.	NOTES
1	21511176	1	Tachometer kit		White Dial, 4000rpm, Cable included, D=110mm
	21511178	1	Tachometer kit		Black Dial, 4000rpm, Cable included, D=110mm
	21628159	1	Tachometer kit		White Dial, 4000rpm, Cable included, D=85mm
	21628160	1	Tachometer kit		Black Dial, 4000rpm, Cable included, D=85mm
2	3884843	1	• Wiring harness		
3	21234531	1	Speedometer		Black background 0-40 knots, 0-45 mpr, D=110mm
	21234532	1	Speedometer		mpr, D=110mm
	21234533	1	Speedometer		Black background, 0-60 knots, 0-70 mpr D=110mm
	21234534	1	Speedometer		White background, 0-60 knots, 0-70 mpr D=110mm
4	874919	1	Oil pressure gauge		Black 0-100 psi, D=52mm
	874909	1	Oil pressure gauge		White 0-25 bar, D=52mm
	874908	1	Oil pressure gauge		Black 0-7 bar, D=52mm
	874922	1	Temperature gauge, oil temperature engine		White 0-150°C, D=52mm
	874923	1	Oil pressure gauge		White 0-7 bar, D=52mm
	874932	1	Oil pressure gauge		White 0-100 psi, D=52mm
	874950	1	Oil pressure gauge, Reverse Gear		White 0-25 bar, D=52mm
	874951	1	Oil pressure gauge, Reverse Gear		White 0-350 psi, D=52mm
	874952	1	Oil pressure gauge, Reverse Gear		White 0-350 psi, D=52mm
5	874904	1	Thermometer, coolant water		Black background 0-120°C
	874921	1	Thermometer, coolant water		White background 0-120°C
	874918	1	Thermometer, coolant water		Black background 40-250°F
	874931	1	Thermometer, coolant water		White background 40-250°F
	881857	1	Thermometer, oil		Black 40-300 °F
	881858	1	Thermometer, oil		White 40-300 °F
	874905	1	Thermometer, oil		Black background
	874906	1	Thermometer, oil		Black background
	874907	1	Thermometer, exhaust temp.		Black background
6	874913	1	Voltmeter		Black background 24V
	874925	1	Voltmeter		White background 24V
7	874915	1	Instrument, alarm		Black background D=52mm
	874927	1	Instrument, alarm		White background D=52mm
8	874914	1	Fuel gauge		Black background D=52mm
	874926	1	Fuel gauge		White background D=52mm
9	874910	1	Turbo pressure gauge		D=52mm
	874920	1	Turbo pressure gauge		Black 0-45 psi
	874924	1	Turbo pressure gauge		White background 0-3 bar D=52mm
	874933	1	Turbo pressure gauge		White 0-45 psi
10	3812914	1	Rudder indicator		Black background
	3812917	1	Rudder indicator		White background
11	(874911)	1	Pressure gauge, freshwater		Obsolete part, Black 0-3 bar
	874912	1	Pressure gauge, sea water		Black 0-3 bar
	3809992		Water level gauge		
	3809993		Water level gauge		
12	874709	1	Mounting kit		Black D=52mm
13	874450	1	• Attaching ring		
14	874707	1	• Gasket		
15	874448	1	• Ring		
16	874708	1	Mounting kit		Black D=85mm
17	874449	1	• Attaching ring		
18	(874706)	1	• Gasket		Obsolete part, Included in kit 874708
19	874447	1	• Ring		
20	3847888	1	Mounting kit		Black D=110mm
			• Bulletin P-36-9-3	P-36-9-3-EN	New products in the EVC family
21	(3884098)	1	• Attaching ring		Obsolete part
22	3884103	1	• Gasket		
23	3847887	1	• Ring		
24	874733	1	Mounting kit		Chrome D=52mm
25	874450	1	• Attaching ring		
26	874707	1	• Gasket		

## D8A1-A MP, D8A2-A MP, D8A3-A MP, D8A4-A MP

REF	PART NO.	QTY	DESCRIPTION	SEE SEC.	NOTES
27	874731	1	• Ring		
28	874732	1	Mounting kit		Chrome D=85mm
29	874449	1	• Attaching ring		
30	(874706)	1	• Gasket		Obsolete part, Included in kit 874732
31	874730	1	• Ring		
32	3885216	1	Mounting kit		Chrome D=110mm
			• Bulletin P-36-9-3	P-36-9-3-EN	New products in the EVC family
33	(3884098)	1	• Attaching ring		Obsolete part
34	3884103	1	• Gasket		
35	3884096	1	• Ring		
36	881611	1	Brace kit		Black D=52mm
37	881607	1	• Brace		
38	881610	2	• Nut		
39	(881609)	2	• Stud		Obsolete part
40	874707	1	• Gasket		
41	874448	1	• Ring		
42	881612	1	Brace kit		Black D=85mm
43	881608	1	• Brace		
44	881610	2	• Nut		
45	(881609)	2	• Stud		Obsolete part
46	(874706)	1	• Gasket		Obsolete part
47	874447	1	• Ring		
48	881613	1	Brace kit		Chrome D=52mm
49	881607	1	• Brace		
50	881610	2	• Nut		
51	(881609)	2	• Stud		Obsolete part
52	874707	1	• Gasket		
53	874731	1	• Ring		
54	881614	1	Brace kit		Chrome D=85mm
55	881608	1	• Brace		
56	(881609)	2	• Stud		Obsolete part
57	(874706)	1	• Gasket		Obsolete part
58	874730	1	• Ring		
59	881610	2	• Nut		
60	874844	1	X-ring		For flush mounting., D=85mm
61	874843	1	X-ring		For flush mounting., D=52mm
62	874759	1	Extension cable		L=1000mm
	3807043	1	Extension cable		L=3000mm
63	3588206	1	Cable kit		
64	3809099	1	Rudder position sens		Rudder indicator