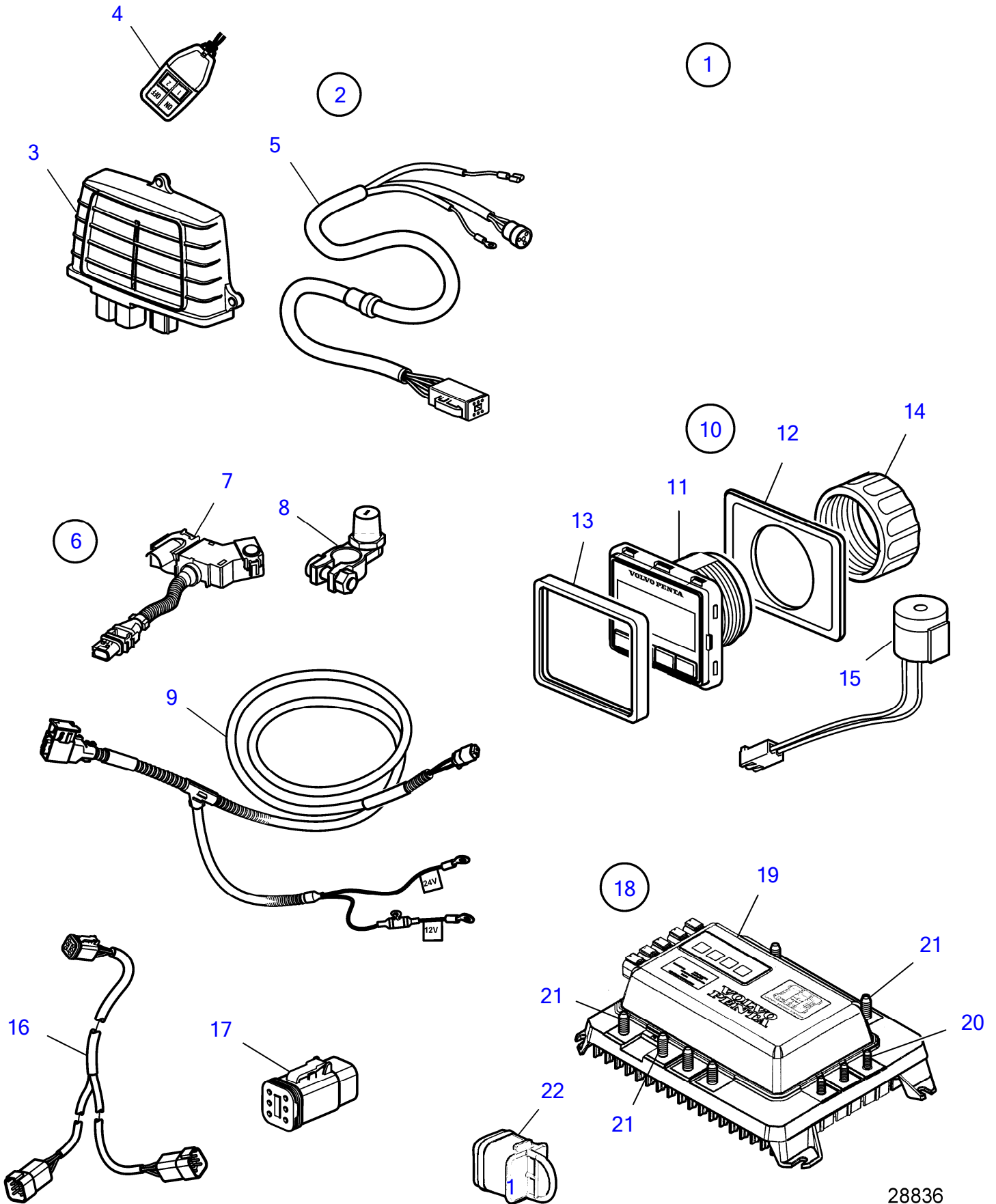


D8A1-A MP, D8A2-A MP, D8A3-A MP, D8A4-A MP



28836

D8A1-A MP, D8A2-A MP, D8A3-A MP, D8A4-A MP

REF	PART NO.	QTY	DESCRIPTION	SEE SEC.	NOTES
1		1	Battery management, Single		Single installation
		1	• Battery management		
		1	Battery management, Twin		Twin Installation, Not for D16
		1	• Battery management		
		1	Battery management, Triple		Triple installation., Only for D4/D6, D8, D11 and D13
		1	• Battery management		
		1	Battery management, Quad		Quad Installation, Only for D6, D11 and D13
		1	• Battery management		
2	22780709	1	• Radio frequency		e-Key
	22780721	1	• Radio frequency, (Japan)		Only for the Japanese market
3		1	• • Unit		
4	22682535	1	• • E-key multi function		
	22682546	1	• • E-key multi function, (Japan)		Only for the Japanese market
5	(21877591)	1	• • Cable		Obsolete part
6		1	• Battery sensor		
7	22468483	1	• • Sensor		
8	22783513	1	• • Adapter		
9	21840060	1	• • Cable		
10	22645608	1	• Display panel	41560	e-Key
11		1	• • Display panel		
12	3808135	1	• • Gasket		
13	21467057	1	• • Frame		
14	874450	1	• • Attaching ring		
15	21358227	1	• • Buzzer		
16	21825656	1	• Cable		
17	21825714	1	• Terminal		Only for single installation
18	22645632	1	• Battery switch		
19		1	• • Battery switch		
20	983714	3	• • Hexagon nut		
21	983716	6	• • Hexagon nut		
22	3840433	2	• • Sealing plug		