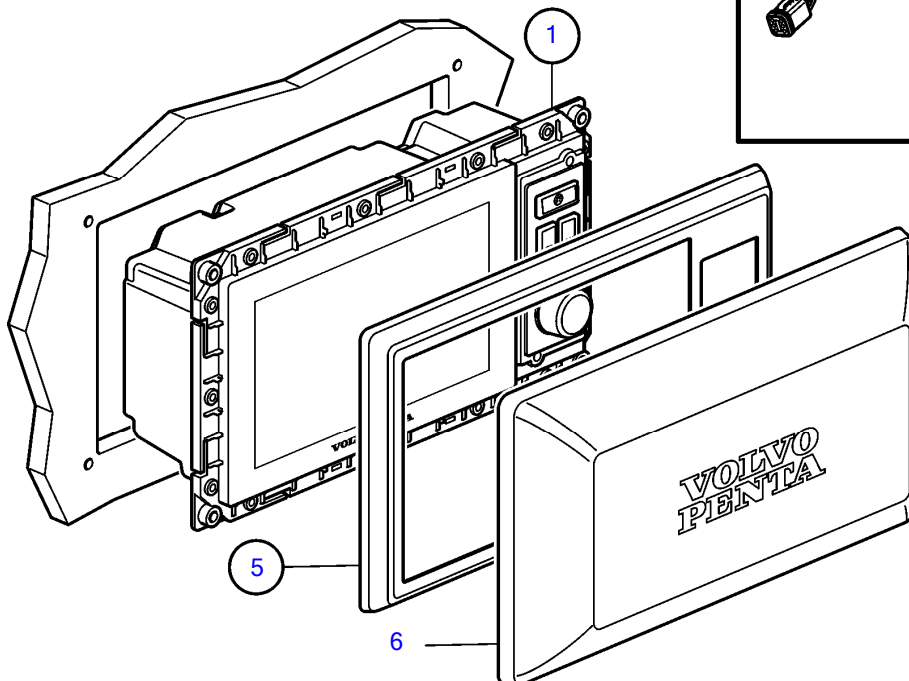
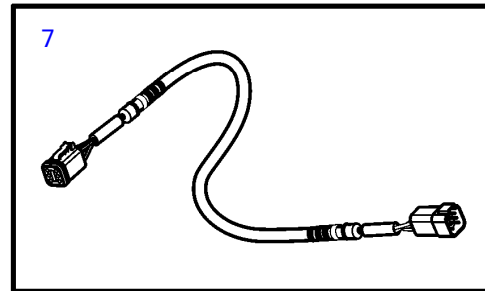
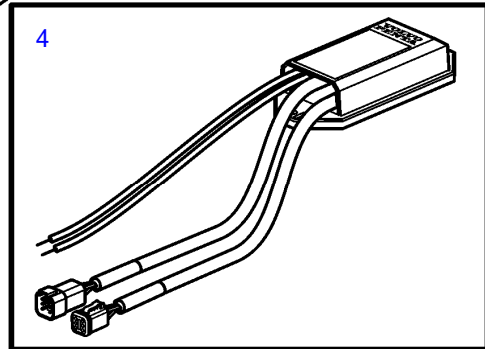
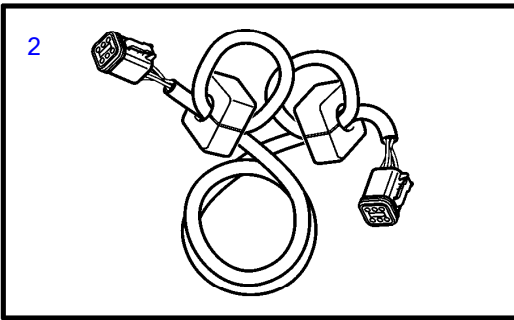
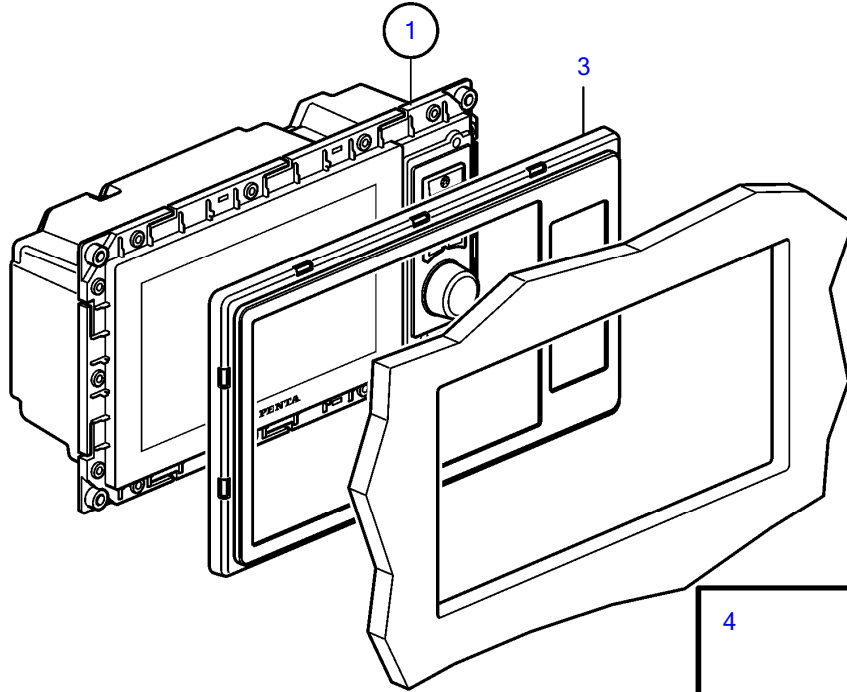


D8A1-A MP, D8A2-A MP, D8A3-A MP, D8A4-A MP



28240

## D8A1-A MP, D8A2-A MP, D8A3-A MP, D8A4-A MP

REF	PART NO.	QTY	DESCRIPTION	SEE SEC.	NOTES
1	22722418	1	Display, 7" color display kit		Only for Commercial, D11, D13 and, Replaced by 23189280
			• Bulletin P-97-9-109	P-97-9-109-EN	RETROFIT OF DYNAMIC POSITIONING SYSTEM
1	23189280	1	Display, 7" color display kit		Only for Commercial, D11, D13 and, Replaced by 23412333
	23412333	1	Display, 7" color display kit		Only for Commercial, D11, D13 and
	22722419	1	Display, 7" Steering Gear display kit		Only for Commercial, D11, D13 and, Replaced by 23412336
	23412336	1	Display, 7" Steering Gear display kit		Only for Commercial, D11, D13 and
	22722420	1	Display, 7" Alarm display kit		Only for Commercial, D11, D13 and, Replaced by 23189281
	23189281	1	Display, 7" Alarm display kit		Only for Commercial, D11, D13 and, Replaced by 23412334
	23412334	1	Display, 7" Alarm display kit		Only for Commercial, D11, D13 and
		1	• Display		
2	21514712	1	• Cable		
3	21330288	1	Frame		For flush mounting.
4	21379779	1	Network adapter		12V
5	21330289	1	Frame		For top mounting
6	21144292	1	• Cover		
7	22629901	1	Cable		