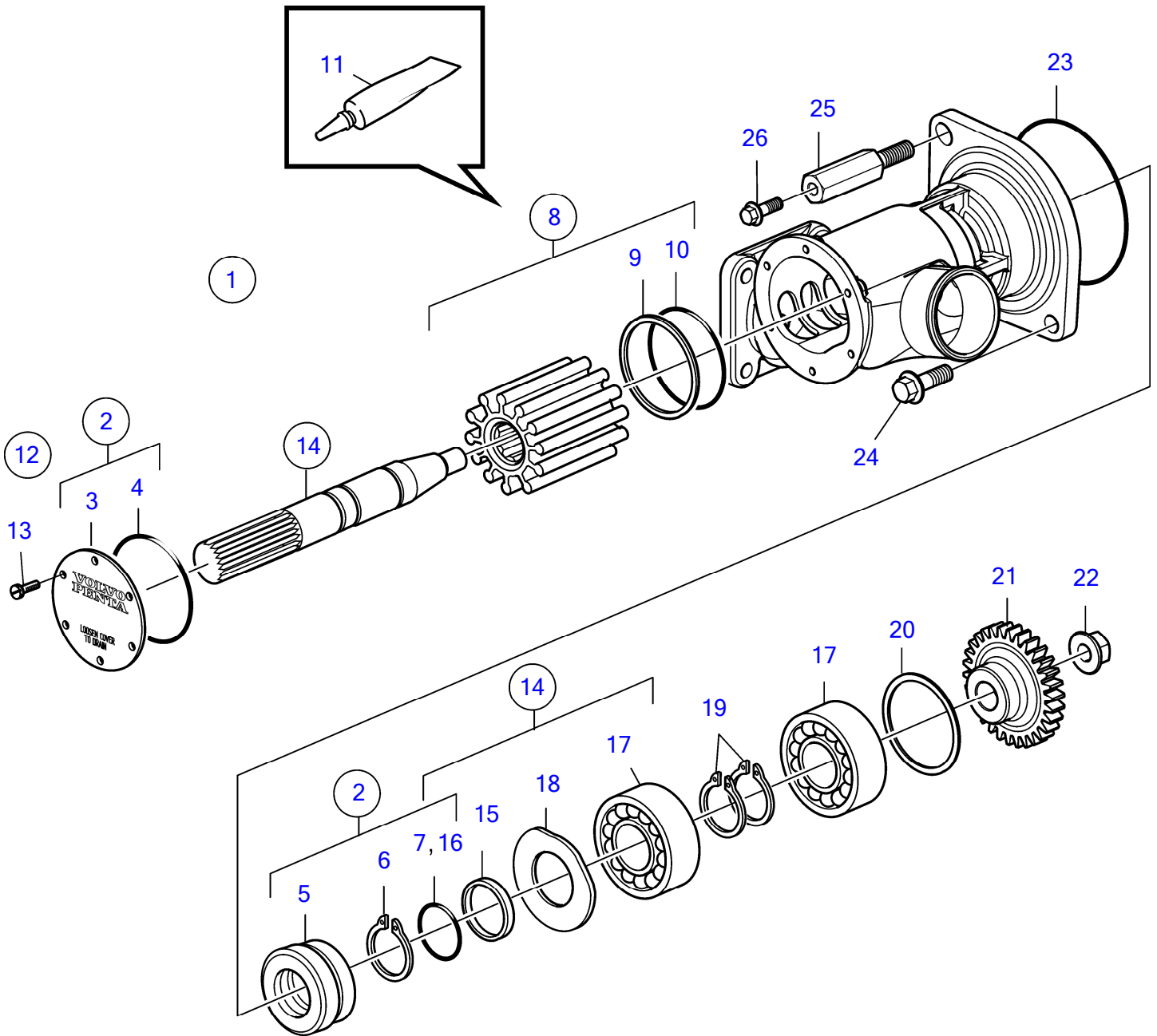


D8A1-A MP, D8A2-A MP, D8A3-A MP, D8A4-A MP



29385

D8A1-A MP, D8A2-A MP, D8A3-A MP, D8A4-A MP

REF	PART NO.	QTY	DESCRIPTION	NOTES
1	22769742	1	Seawater pump	Replaced by 23002155
	23002155	1	Seawater pump	
2	21951404	1	• Wear kit	Replaced by 22994985
	22994985	1	• Wear kit	
3	(3581617)	1	• • Cover	Obsolete part
4	3581618	1	• • O-ring	
5	864649	1	• • Seal	
6	943468	1	• • Snap ring	
7	864648	1	• • O-ring	
8	21951358	1	• Impeller kit	Replaced by 22994993
	22994993	1	• Impeller kit	
9	3825108	1	• • Gasket	
10	3581618	1	• • O-ring	
11	3862178	1	• • Grease	
12	21951334	1	• Screw kit	
13	(21346724)	6	• • Hexagon screw	Obsolete part
14	21951467	1	• Kit spx, shaft kit	
15	864647	1	• • Sealing ring	
16	864648	1	• • O-ring	
17	11023	2	• • Ball bearing	
18		1	• • Wear plate	
19	(21422640)	2	• Retaining ring	Obsolete part
20	(21422641)	1	• Retaining ring	Obsolete part
21		1	• Gear	
22	990017	1	• Flange nut	
23	996326	2	• O-ring	
24	969445	1	Flange screw	
25	22416579	1	Spacer screw	Replaced by 990861
	990861	2	Flange screw	
26	984726	1	Flange screw	