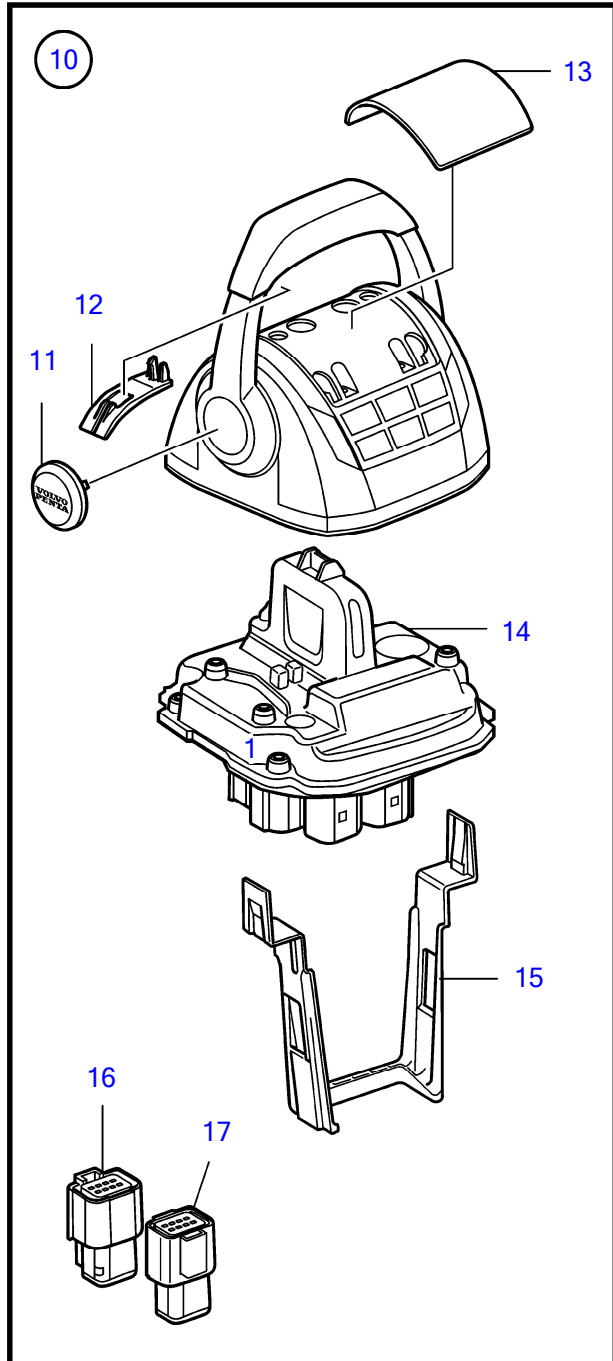
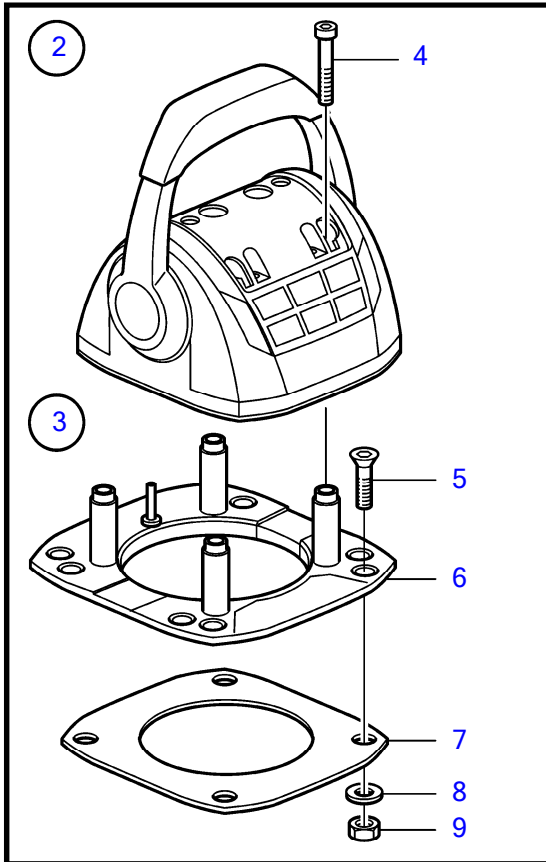
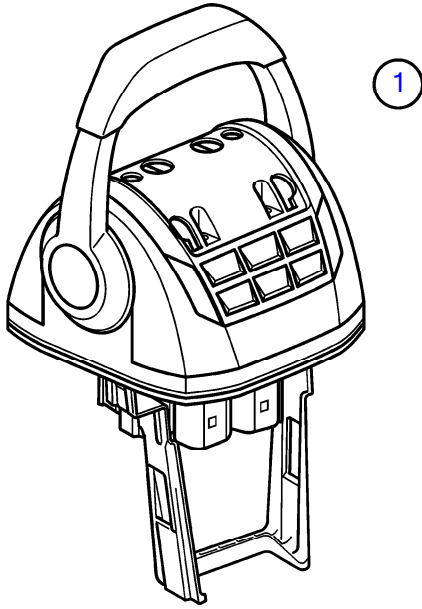


D8A1-A MP, D8A3-A MP



D8A1-A MP, D8A3-A MP

REF	PART NO.	QTY	DESCRIPTION	SEE SEC.	NOTES
1	22498549	1	Control lever		
	3586259	2	Software		Vodia-programming. This p/n can not be ordered, but will be used for invoicing.
	3586261	2	Software		Warehouse programming. This p/n can not be ordered, but will be used for invoicing.
2		1	• Control lever		
3	21461720	1	• Installation kit, mounting bracket		
4	995042	4	• • Hex. socket screw		
5	994821	4	• • Hex. socket screw		
6	(21461704)	1	• • Bracket		Obsolete part
7		1	• • Gasket		
8	940275	4	• • Washer		
9	984456	4	• • Lock nut		
10	21527169	1	• Kit, plastic parts		
			• Bulletin P-44-5-25	P-44-5-25-EN	Spare part kits for EVC controls
11		1	• • Hub cap		
12		1	• • Handle		
13	(21461681)	1	• • Cover		Obsolete part
14		1	• Control lever		
		1	• • Control unit		
		1	• • Control unit, HCU Sensor		
15	21461675	1	• Cable bearer		
16	21505756	1	• Connector		
17		1	• Housing		