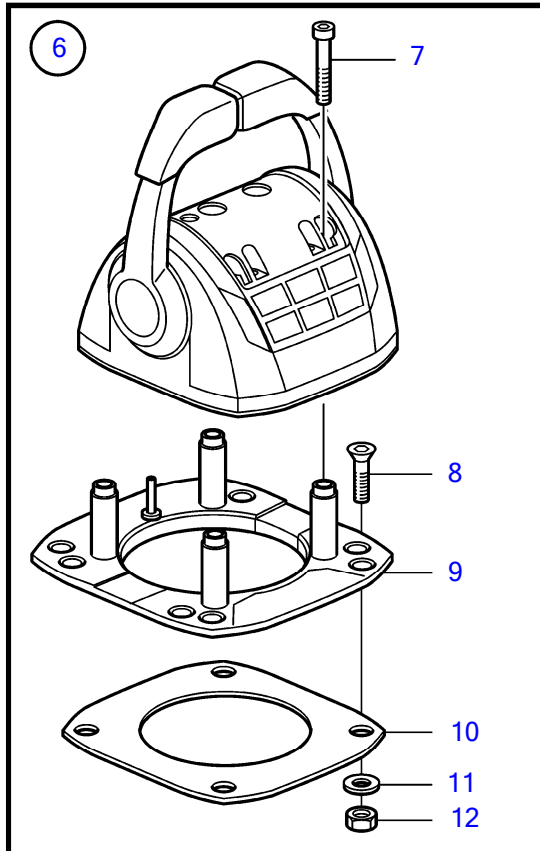
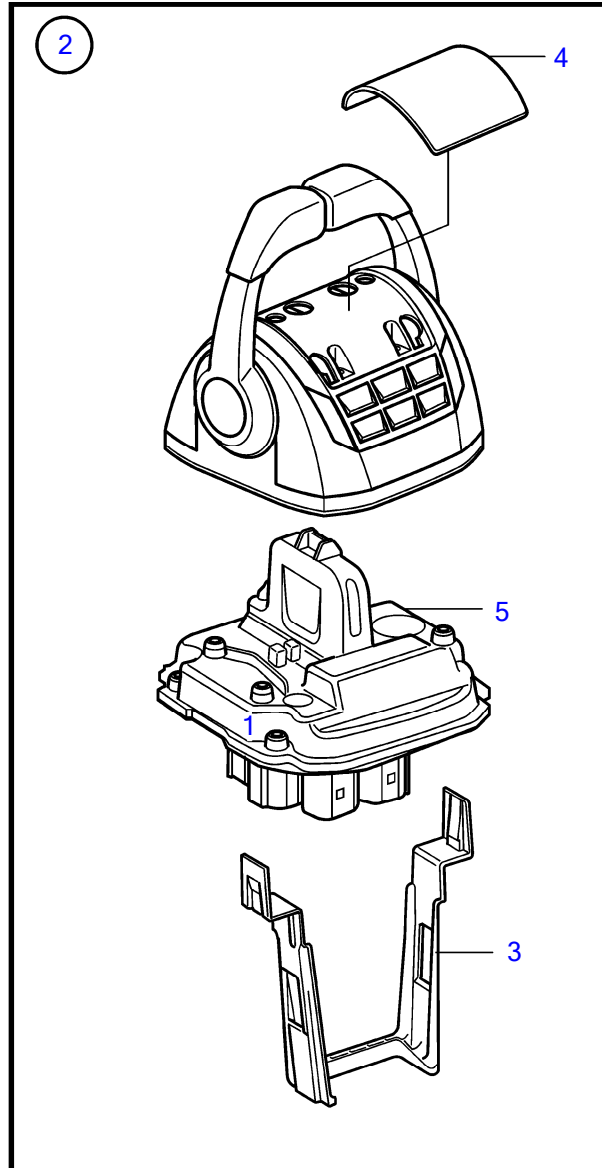
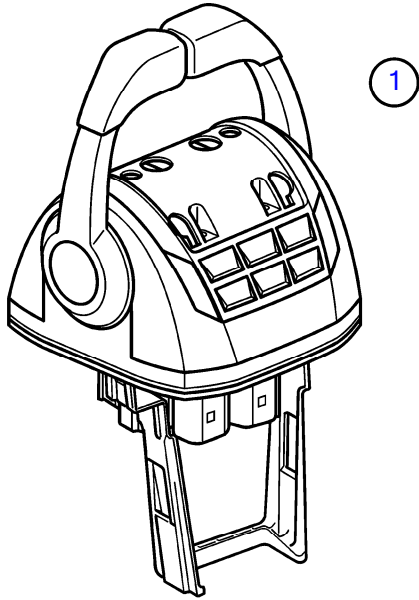


D8A1-A MP, D8A2-A MP, D8A3-A MP, D8A4-A MP



D8A1-A MP, D8A2-A MP, D8A3-A MP, D8A4-A MP

REF	PART NO.	QTY	DESCRIPTION	NOTES
1	22861802	1	Control lever	Without Trim Buttons
2		1	• Control lever	
3	21461675	1	• Cable bearer	
4	(21461681)	1	• Cover	Obsolete part
5		1	• Control lever, HCU Single Assembly	
6	21461720	1	• Installation kit, mounting bracket	
7	995042	4	• • Hex. socket screw	
8	994821	4	• • Hex. socket screw	
9	(21461704)	1	• • Bracket	Obsolete part
10		1	• • Gasket	
11	940275	4	• • Washer	
12	984456	4	• • Lock nut	