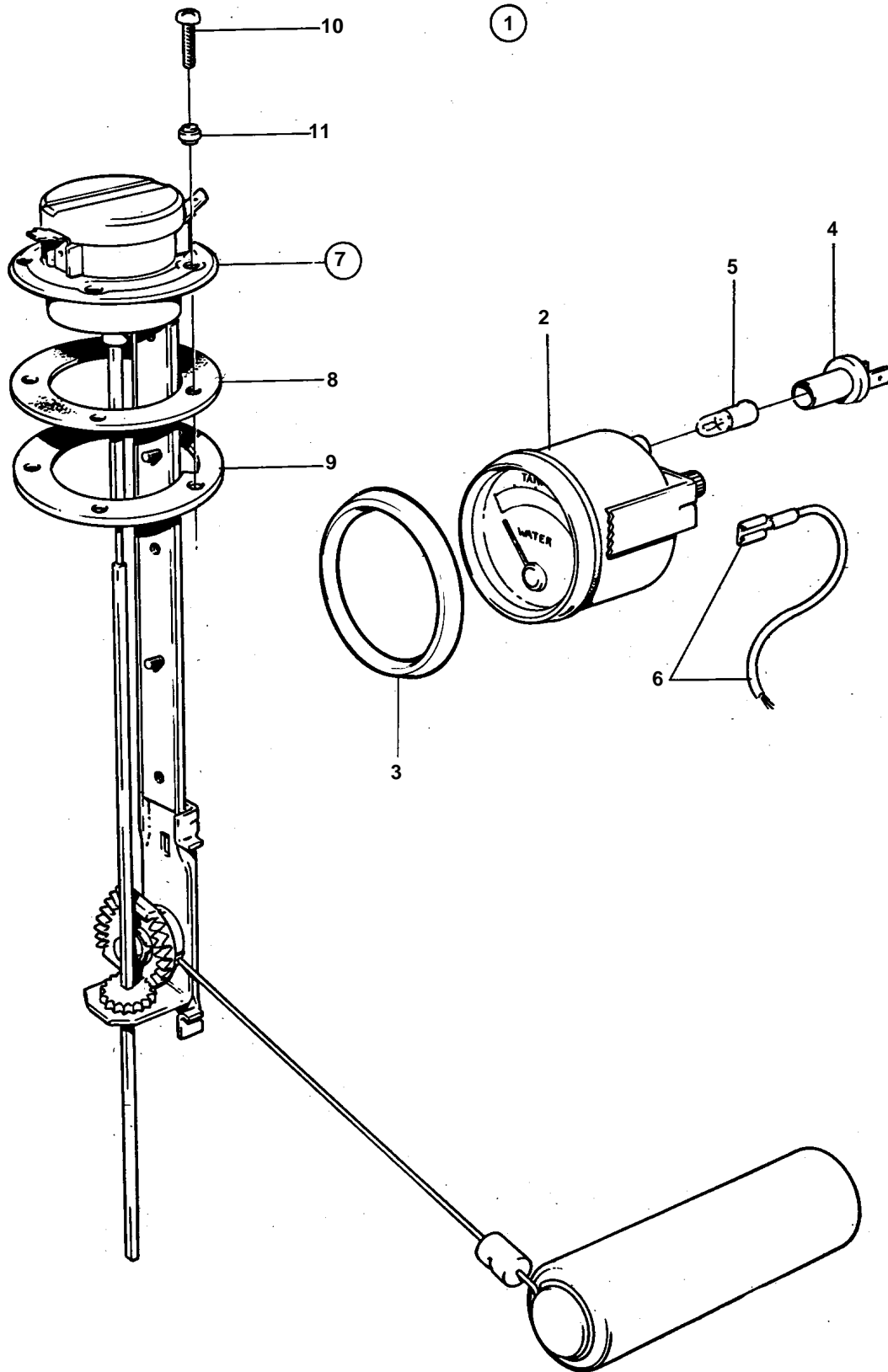


COMMON



COMMON

REF	PART NO.	QTY	DESCRIPTION	NOTES
1	828716	1	Water level gauge	12V REPL BY 828716
2	863942	1	· Water level gauge	(828635)
3	858643	1	· Front ring	(828542)
4	808175	1	· Bulb socket	
5	19923	1	· Bulb	
6		X	· CABLES AND TERMINALS	SEE GROUP 3
7	834389	1	· Sender	
8	89865	1	· · Gasket	
9	834480	1	· · Flange	
10	956078	4	· · Screw	L = 16 MM
	956081	1	· · Screw	L = 25 MM
11	834481	5	· · Gasket	