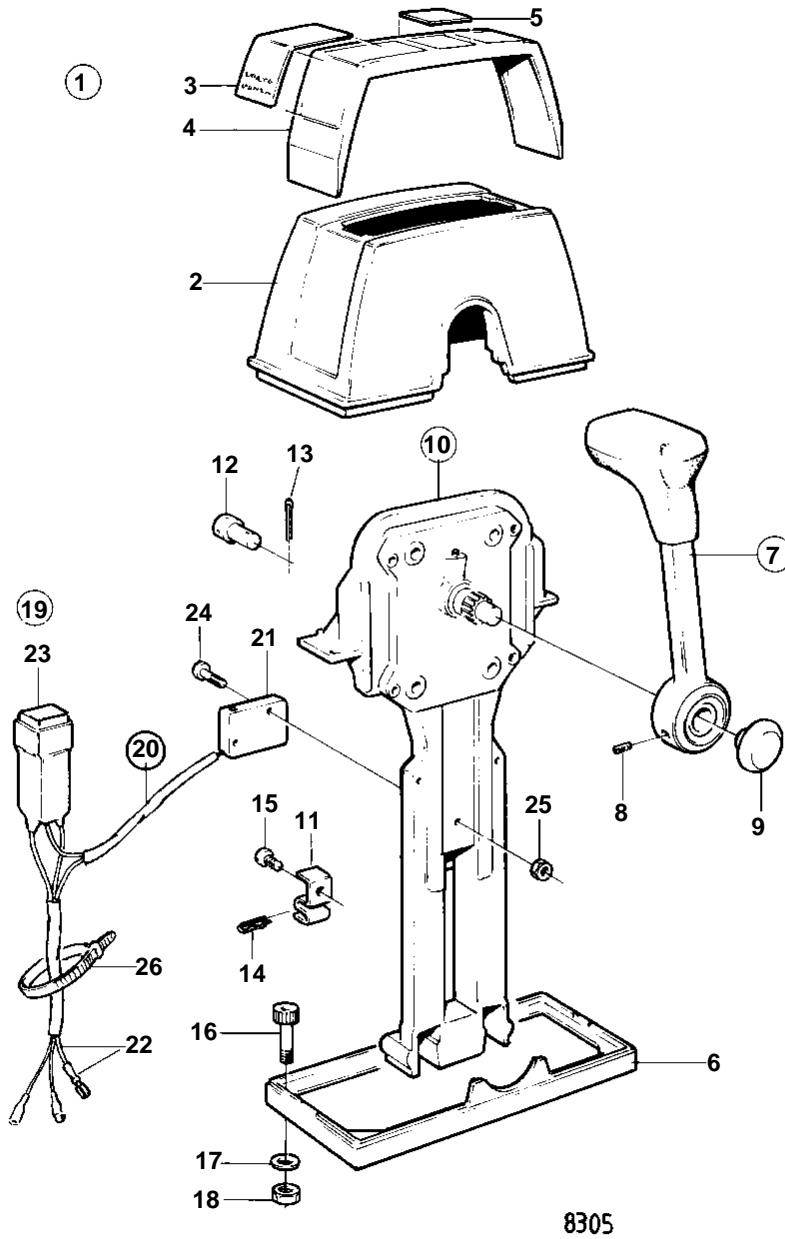


COMMON



COMMON

REF	PART NO.	QTY	DESCRIPTION	SEE SEC.	NOTES
1	853169	1	Mounting kit		TWIN
2	851885	1	· Cover		
3	851895	1	· Decal		
4	851891	1	· Cover plate		
5	851897	1	· Decal		
6	839479	1	· · Plate		
7	852347	2	· Lever		
8	963678	1	· · Screw	090-0060	
9	853004	2	· Push button		
10	851600	2	Control		
11	853423	1	· Retainer		
12	839638	2	· Cube		
13	17253	2	· Cotter pin		
14	852924	1	· Clip		
15	839664	2	Screw		
16	947671	4	Allen head screw		
17	960138	4	Washer		
18	955780	4	Nut		
19	855352	2	Neutral posit contac		(839641)
20	839619	1	· Cable kit		
21	850200	1	· · Switch		
22		X	· · CABLES AND TERMINALS		SEE GROUP 3 (1501832)
23	876037	1	· Relay kit		
24	946177	2	· Screw		
25	947536	2	· Nut		
26	948210	X	· Strip clamp		