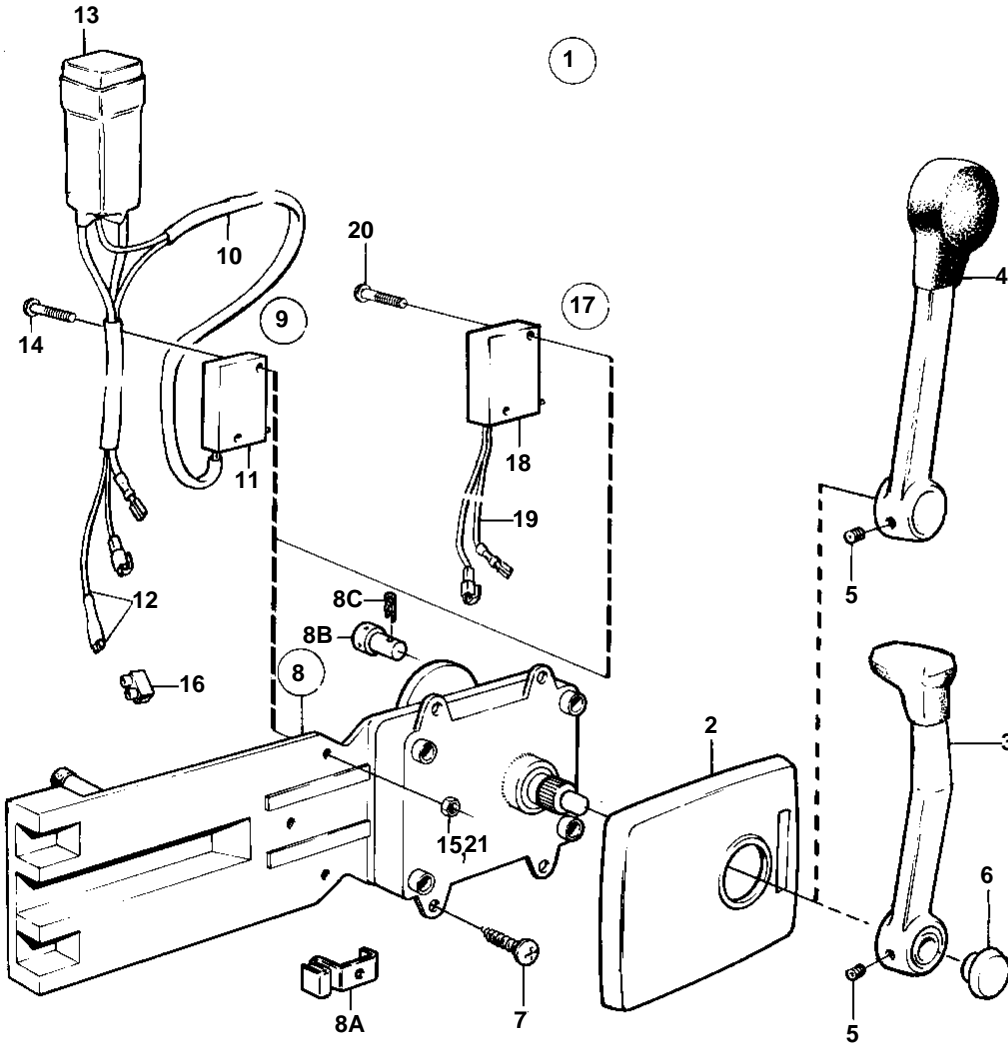


COMMON



8302

COMMON

REF	PART NO.	QTY	DESCRIPTION	SEE SEC.	NOTES
1	853102	1	Mounting kit		FOR MOTOR BOAT.
2	1140048	1	· Cover		(839518)
3	852347	1	· Lever		
				090-0060	
5	963678	1	· Screw		
6	853004	1	· Push button		
7	955142	4	· Screw		
8	1140095	1	Control mechanism		(851601)
8A	853423	1	· Retainer		
8B	839638	2	· Cube		
8C	17253	2	· Cotter pin		
9	855332	1	Solenoid		(839641)
10	839619	1	· Cable kit		
11		1	· · SWITCH		
12		X	· · CABLES AND TERMINALS		SEE GROUP 3
13	876037	1	· Relay kit		(1501832)
14	946177	2	· Screw		
15	947536	2	· Nut		
16	182009	1	· Coupling piece		
17	828414	1	Neutral posit contac		MAIN STATION.
	855352	1	Neutral posit contac		(828378)
18	850200	1	· Switch		
19		X	· CABLES AND TERMINALS		SEE GROUP 3
20	946177	2	· Screw		
21	947536	2	· Nut		