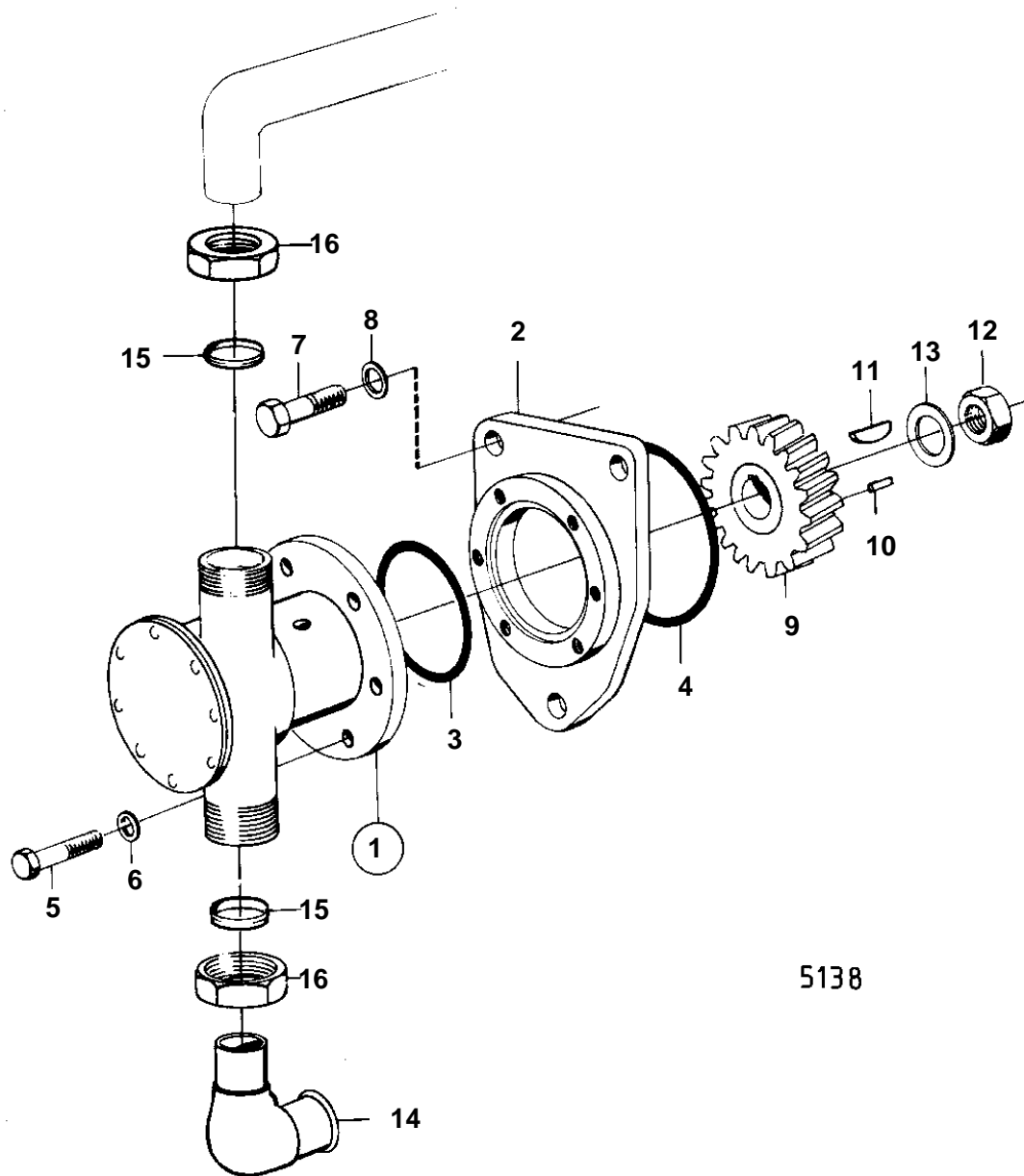


D70CHC,TD70CHC



5138

D70CHC,TD70CHC

REF	PART NO.	QTY	DESCRIPTION	SEE SEC.	NOTES
1	837371	1	Bilge pump		
				02B-0450	
2	820695	1	Intermediate section		
3	925095	1	O-ring	IK	
4	413619	1	Gasket	IK	
5	940114	3	Screw		
6	942336	3	Spring washer		
7	955576	3	Screw		
	955576	1	Screw		L = 32 MM. FOR ENGINE WITH TUBE HEAT EXHANGER.
	955577	2	Screw, SCREW		L = 38 MM. FOR ENGINE WITH TUBE HEAT EXHANGER.
				02B-0250	
8	941911	3	Spring washer		
9	820637	1	Gear		SEE GROUP 2A
10	950564	1	Pin		
11	942406	1	Key		
12	955860	1	Nut		
13	942735	1	Lock washer		
14	837276	1	Anchorage		
15	807957	2	Sealing ring		
16	6606324	2	Nut		